

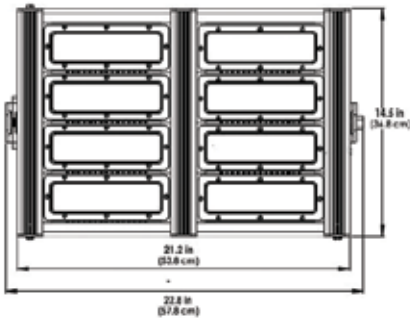
**PHOENIX**  
*Durability by Design*

# EcoMod™ Series Modular LED Floodlight

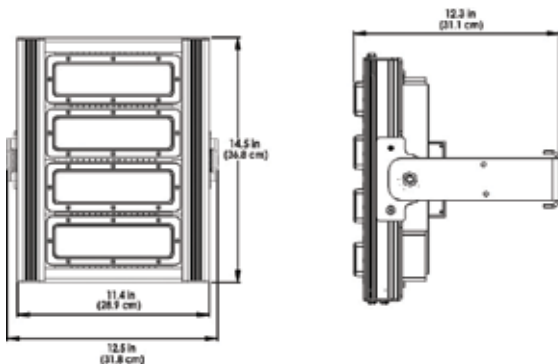
The EcoMod™ LED Floodlight is an eco-friendly, instant-on, surface-mounted fixture designed to provide general area illumination. LED technology is extremely energy efficient and very low maintenance providing numerous added benefits and significant cost savings. The EcoMod™ Series is best suited for applications that require more light or have higher mounting heights and for equipment in marine and port environments.



**EcoMod™ 300**



**EcoMod™ 150**  
shown mounted in a  
downward facing position



Authorised Importer and Master Distributor

Specifications	
<b>Construction</b>	Marine-grade extruded aluminum frame and LED modules Adjustable passivated stainless steel mounting harp Anodized finish EcoVent™ Technology allows heat, water, and debris to flow through fixture
<b>Hardware</b>	Marine-grade (316) stainless steel Screws sealed with adhesive threadlocker
<b>Light Source</b>	Philips Luxeon M light emitting diodes (LED) 150W - 12,500 lumens 300W - 25,000 lumens CRI >70 CCT - 5000K 50,000 hour rated life of LEDs
<b>LED Module</b>	UV and impact-resistant polycarbonate lens Replaceable lens
<b>Driver</b>	120-277V, 50-60Hz; 200-480V, 50-60Hz Fully potted Overload, over-voltage, over-temperature, and short-circuit protection Remote mounting option Replaceable
<b>Power Factor</b>	> .98 (at 115V)
<b>Surge Suppressor/ Power Line Filter</b>	20kV (20kA) Dissipates 540 joules at 277V Dissipates 765 joules at 480V
<b>Wiring</b>	Stranded wires Thru-wiring option International cord option (INTL)
<b>Ambient Operating Temperature</b>	-40°C to +50°C Designed for use in areas allowing air flow
<b>Mounting</b>	360° harp rotation Indexed aiming and lockable at 10° increments Customized bolt pattern option
<b>Weight</b>	Fixture: 150W - 22.9 lb (10.4 kg) 300W - 40.0 lb (18.1 kg)
<b>Compliances (Pending)</b>	ETL/cETL Certified to: UL 1598 Ordinary Wet Locations UL 1598A Marine Outside Type (Saltwater) CSA C22.2 No.250.0 CE ABS DLC IP66 Rated
<b>Warranty</b>	5yr   Limited Warranty



# PHOENIX<sup>®</sup> EcoMod<sup>™</sup> Series LED Floodlight

*Durability by Design*

Ordering Information					Example: EM-300-MF-120-277
Series	Wattage	Optics	Voltage	Options	
EM	150 300	WF FL MF WS SP NS VS	120-277 347-480	INTL <sup>2</sup>	

Wattage		Optics		Voltage		Options	
150	150W (4 Modules)	WF	Wide Flood	120-277	120-277V, 50-60Hz	INTL <sup>2</sup>	International Cord
300	300W (8 Modules)	FL	Flood	347-480	347-480V, 50-60Hz		
		MF	Medium Flood				
		WS	Wide Spot				
		SP	Spot				
		NS	Narrow Spot				
		VS	Very Narrow Spot				

**Notes:**  
<sup>2</sup> - International cord standard on 120-240CE models.

Accessories (Order Separately)	
	<p><b>SFCB - Safety Cable</b>            (Recommended for port, mining,            and other rough service applications)</p>



The cover photograph was taken at a port terminal in Malaysia. The EcoMod Series is shown on a Rubber Tire Gantry (RTG) crane.

Phoenix Products has taken reasonable steps to ensure that the information contained herein is accurate. While we believe the information is accurate, no warranty is made or implied. Product design and specifications are subject to change without notice. The most current version of this specification sheet can be found on [www.phoenixproducts.com](http://www.phoenixproducts.com).