

J.W. Speaker 515 LED Headlights



Description

The Model 515 is a multifunctional industrial headlight that's more reliable, brighter, and longer-lasting than bulb-based lights. It features three distinct functions (low beam, front position, and turn signal) in one compact package.

Features and Benefits

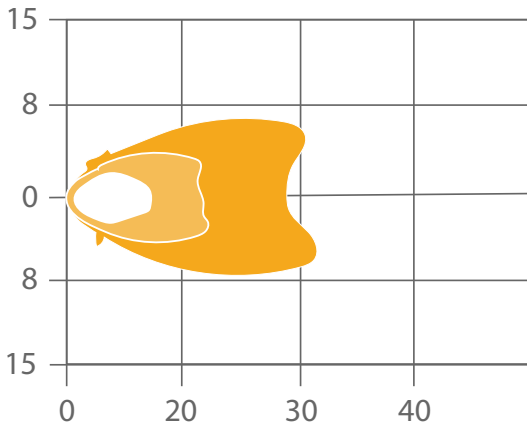
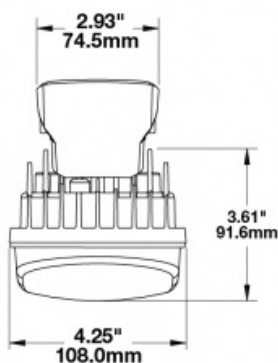
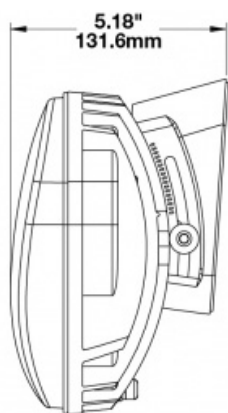
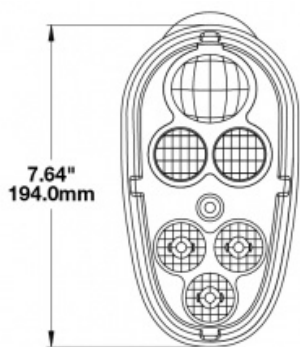
- Mounts to the front of forklifts
- Available in black or chrome bezel
- Low beam, front position, and turn signal functions all in one
- Perfect replacement for Forklift Headlights

Applications

Construction, industrial, material handling, specialty vehicles, truck and bus

Tech Specs

Shape	Stylized	
Outer Lens Material	Hardcoated Polycarbonate	
Outer Lens Color	Clear	
Housing Material	Die-Cast Aluminum	
Housing Color	Black	
Bezel Color	Black or Chrome	
Mounting Hardware	(x2) M6-1 x 25 Mounting Bolts	
Mounting Type	Mounts to front of lift truck	
Minimum Operating Temp.	-40 °C / -40 °F	
Maximum Operating Temp.	65 °C / 149 °F	
Connector or Wiring	Integrated 4-Pin Deutsch Weather-Proof Socket (DT04-4P)	
Mating Connector	4-Pin Deutsch Weather-Proof Plug (DT06-4S)	
Shipping Weight	2.45 lbs / 1.11 kgs	
Input Voltage	12-48V DC	
Operating Voltage	9-60V DC	
Transient Spike Protection	330V Peak @ 1 HZ-100 Pulses	
Current Draw	0.60A @ 12V DC (Low Beam)	0.05A @ 36V DC (Front Position)
	0.30A @ 24V DC (Low Beam)	0.05A @ 48V DC (Front Position)
	0.20A @ 36V DC (Low Beam)	1.45A @ 12V DC (Turn Signal)
	0.15A @ 48V DC (Low Beam)	0.70A @ 24V DC (Turn Signal)
	0.05A @ 12V DC (Front Position)	0.45A @ 36V DC (Turn Signal)
	0.05A @ 24V DC (Front Position)	0.40A @ 48V DC (Turn Signal)
rLumens	540 Lumens (Low Beam)	
eLumens	420 Lumens (Low Beam)	
Standards Compliance	Buy America Standards, ECE Reg 6, Eco Friendly, ECE Reg 113, ECE Reg 7, IEC IP67	
Beam Patterns	Forward Lighting - Low Beam (ECE Left Hand)	
	Forward Lighting - Low Beam (ECE Right Hand)	
	Signalization - Front Position	
	Signalization - Turn (Front)	
	Signalization - Turn (Rear)	



Low Beam (.75m high at 0°)

Part No.	Description
515-BB	12-48V ECE LED Material Handling Headlight with Black Inner Bezel
515-CB	12-48V ECE LED Material Handling Headlight with Chrome Inner Bezel



Authorised Importer and Master Distributor

