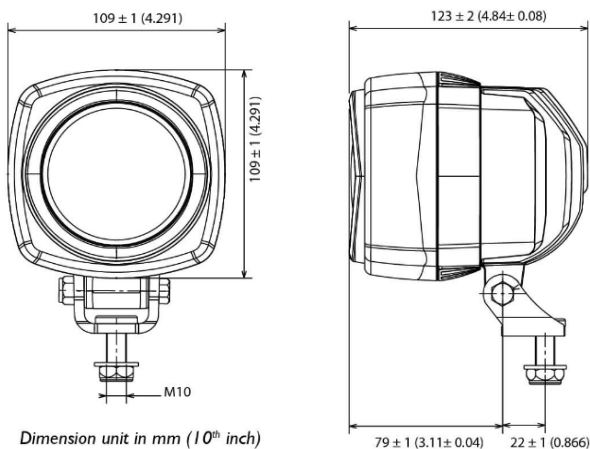
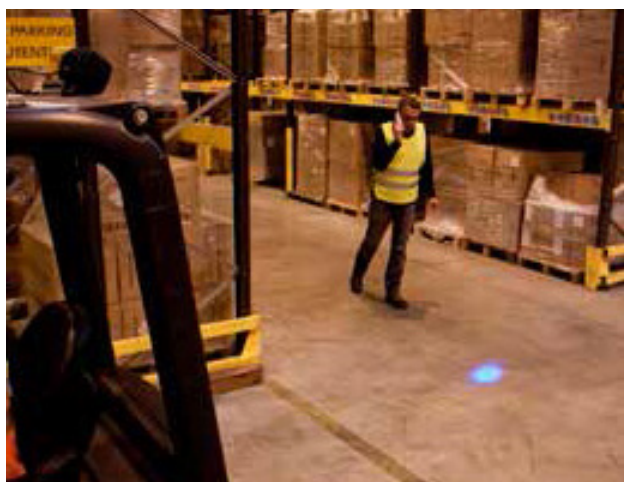


# ABL 500 LED Blue/Red Forklift Warning Light

Dimension unit in mm (10<sup>th</sup> inch)

## Description

The ABL 500 LED series work lights are designed to exceed everyday demands in all applications. This specific Blue or Red version of ABL's LED worklight range ensures a visible sharp-edged warning signal on the floor for an increased safety environment. This makes it ideal for handling equipment such as forklifts operating in warehouses, stores, storerooms, packing and despatch, etc. A forklift warning light adds a high visibility safety element, which increases safety in the work environment.

## Features and Benefits

- Offers a premium safety beam of blue light that produces a distinct visible warning signal on the floor for an increased safety environment
- Designed for inside and outside usage
- Meets IP69K water tightness requirements
- Delivers premium sharp blue spot light optics
- Consumes 5W power
- Includes 12 to 100V multi-volt feature
- Heavy-duty housing achieves IP68 to IP69K, ISO 9227 ratings
- Specific Blue or Red version of the LED worklight range
- Ensures a visible sharp-edged warning signal on the floor
- Increases safety in the work environment
- Provides high visibility safety element for handling equipment such as forklift applications

## Applications

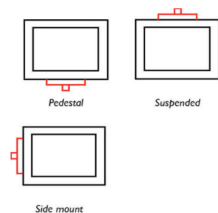
Handling equipment such as forklifts

## Tech Specs

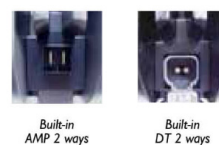
Bulb	LED Blue, LED Red
Life Time	20,000 Hours
Light Pattern	Sharp Edged Spot
Consumption	5W
Voltage	Multi 12-100V
Intensity	0.2 Amp @ 24V
Weight	1.0 Kg
Vibration Resistance	10 Grms from 24Hz to 2000Hz
EMC	ISO 12 895
Load Dump	130V continuous 200V 100 ms 1800V 50 ms
Polarity	No Polarity
Water Tightness	IP 68 - IP 69K
Operating Temp	-40°C to +85°C
Salt Spray	ISO 9227
Lens	PC Lens
Warranty	5 Years

Part No.	Beam	Voltage
LED500BLUE	Sharp Edged Spot	Multi 12-100V
LED500RED	Sharp Edged Spot	Multi 12-100V

## Mounting



## Connections



## Options



Authorised Importer and Master Distributor

