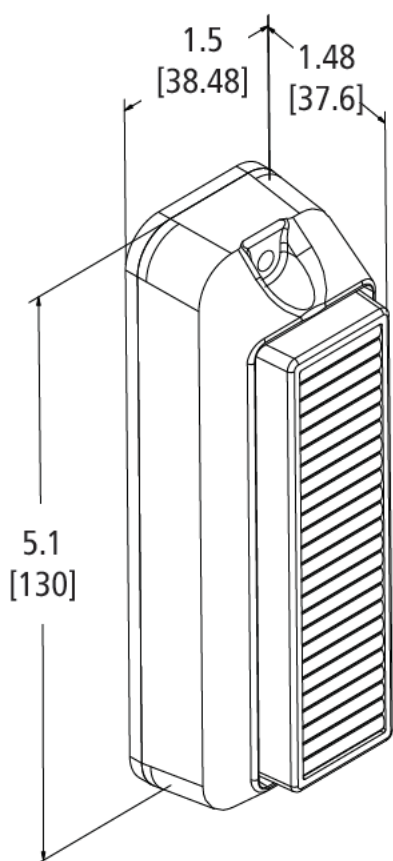


ECCO 3715 Series

SAE Class I Surface Mount



Description

This compact and versatile LED directional light is ideal for applications requiring high intensity output, low current draw and maintenance-free operation. These premium LED heads feature a clear polycarbonate lens with LEDs that illuminate in the color of your choice. Warning capability can be customized by selecting from nine flash patterns (via a trigger wire) and synchronizing multiple heads simultaneously or alternately. With epoxysealed electronics, these light heads are one of the most rugged and flexible LED products around. And, they're covered by a full 5-year warranty.

Features and Benefits

- Nine flash patterns
- Multiple heads are synchronizable (simultaneous or alternating operation)
- Epoxy-encapsulated electronics provide environmental protection against dust, moisture & vibration
- Four high-intensity LEDs combine with TIR optics to provide high intensity directional warning
- Units are colorless when not illuminated
- SAE J595 Class I
- CE, R10, IP67
- Temperature Range: -22°F to +122°F (-30°C to +50°C)
- Warranty: 5 years

Flash Patterns

- Steady Burn
- Double
- Quad
- Quint Hold
- Fast Double
- Double Alternate
- Quad Alternate
- Quint Hold Alternate
- Fast Double Alternate

Applications

Trucks and Vehicles

Part No.	Description	Voltage	Amps	Mount
3715A	Amber LED	12V	0.3	Surface
3715B	Blue LED	12V	0.3	Surface
3715C	Clear LED	12V	0.3	Surface
3715G	Green LED	12V	0.3	Surface
3715R	Red LED	12V	0.3	Surface



Authorised Importer and Master Distributor

