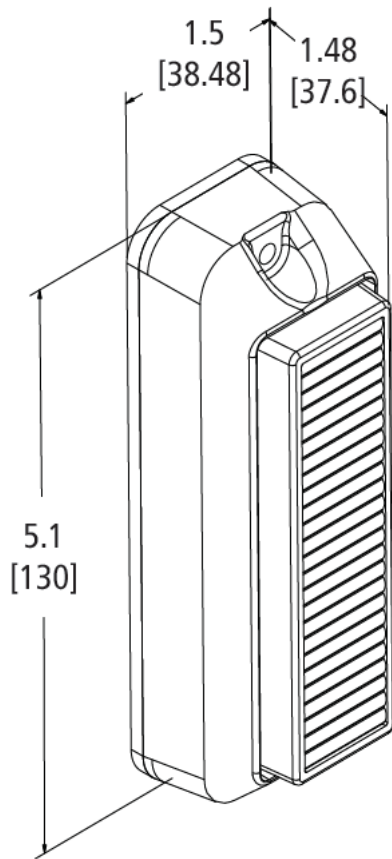


ECCO 3715 Series

SAE Class I Surface Mount



Description

This compact and versatile LED directional light is ideal for applications requiring high intensity output, low current draw and maintenance-free operation. These premium LED heads feature a clear polycarbonate lens with LEDs that illuminate in the color of your choice. Warning capability can be customized by selecting from nine flash patterns (via a trigger wire) and synchronizing multiple heads simultaneously or alternately. With epoxysealed electronics, these light heads are one of the most rugged and flexible LED products around. And, they're covered by a full 5-year warranty.

Features and Benefits

- Nine flash patterns
- Multiple heads are synchronizable (simultaneous or alternating operation)
- Epoxy-encapsulated electronics provide environmental protection against dust, moisture & vibration
- Four high-intensity LEDs combine with TIR optics to provide high intensity directional warning
- Units are colorless when not illuminated
- SAE J595 Class I
- CE, R10, IP67
- Temperature Range: -22°F to +122°F (-30°C to +50°C)
- Warranty: 5 years

Flash Patterns

- Steady Burn
- Double
- Quad
- Quint Hold
- Fast Double
- Double Alternate
- Quad Alternate
- Quint Hold Alternate
- Fast Double Alternate

Applications

Trucks and Vehicles

| Part No. | Description | Voltage | Amps | Mount |
|----------|-------------|---------|------|---------|
| 3715A | Amber LED | 12V | 0.3 | Surface |
| 3715B | Blue LED | 12V | 0.3 | Surface |
| 3715C | Clear LED | 12V | 0.3 | Surface |
| 3715G | Green LED | 12V | 0.3 | Surface |
| 3715R | Red LED | 12V | 0.3 | Surface |



Authorised Importer and Master Distributor

