

BF700 Series

LED Microbar



Description

The Britax LED Microbar is the lowest profile minibar currently on the market. The compact size allows for easy storage in any vehicle. The LED Microbar provides 360° output exceeding SAE Class 1 standards, making it ideal for trucks, utility and construction vehicles.

Features and Benefits

- 360° output exceeding SAE Class 1 standards
- Clear or Amber Lens, Amber or Green and Amber LEDs
- 23 built-in selectable flash patterns
- 30 x 1W high intensity, solid-state LEDs
- LEDs rated to 100,000 hours of operation
- Low power function for night time use
- Available in permanent or magnetic mount base
- Dust, water and vibration resistant
- Reverse polarity protected
- Multiple units can be synchronised

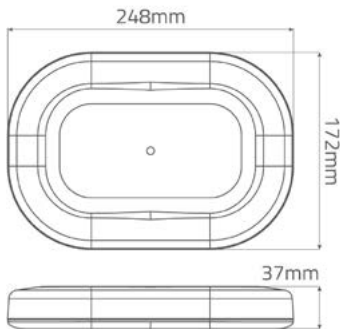
Applications

Trucks, utility vehicles, construction and port facility vehicles

Tech Specs

Voltage	12-24V multi
Wattage	30W
Amps	2.5A @12VDC, 1.25A @ 24VDC
Colors	Amber, Clear, Amber/Green
Lens	Polycarbonate
Base	ABS
Mounting	Single Bolt, Magnetic
Dimensions (HxDxW)	37 x 172 x 248mm (1.45x6.7x9.7" inches)
Approvals	SAE Class 1, ECE Reg 65

Part No.	Description
BF700-00-A	Amber LEDs, amber lens, bolt mount
BF700-04-A	Amber LEDs, clear lens, bolt mount
BF700-05-A	Amber and green LEDs, clear lens, bolt mount
BF704-00-A	Amber LEDs, amber lens, suction magnetic mount
BF704-04-A	Amber LEDs, clear lens, suction magnetic mount
BF704-05-A	Amber and green LEDs, clear lens, suction magnetic mount



Authorised Importer and Master Distributor

