

# ABL 1100 LED2000

## Compact Series



### Description

This work light is the 25W version of the new LED-powered 1100 compact series of work lamps by ABL Lights. This lamp features a shock rating of 60G, a vibration rating of 15Grms @ 24-2000Hz, and high ingress protection rating of IP68 and IP69K. These lights have been sold worldwide by the millions, providing optimal light and best value for money. The ABL 1100 family has firmly established itself as a standard work light for demanding applications. The ABL 1100 LED2000 Compact is a direct replacement for the ABL 1500 3x5 twin-beam halogen work lamp, which uses twin 55W or twin 70W H3 bulbs.

### Features

- 2000 effective lumens from only 25W
- Available in 12-24V DC multi
- 15Grms over 24-2000Hz vibration rating and 60G shock rating
- IP68, IP69K Ingress Protection (IP Rating)

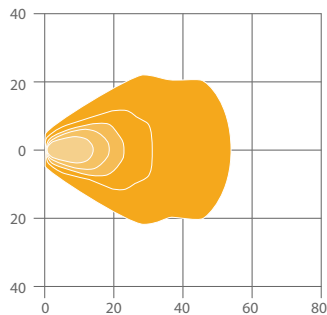
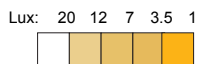
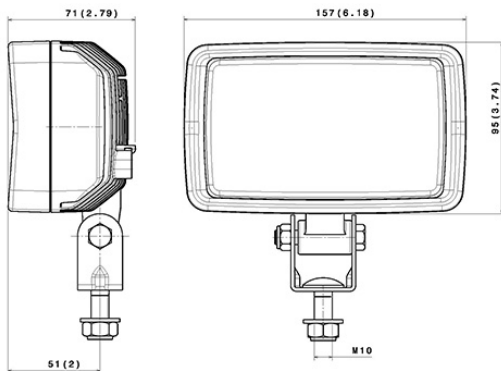
### Application

Heavy equipment, mining, construction, road and utility equipment, forestry, agriculture

### Tech Specs

Light Source	22 LEDs
Colour Temperature	6000K
eLumens (effective)	2000 Lu
rLumens (raw)	2930 Lu
Beam Pattern	Flood
Wattage	25W
Current Draw	1.04A @ 24V DC
Voltage	12-24V DC multi
Operating Temperature	-40°C to +85°C
Vibration Resistance	15Grms @ 24-2000Hz
Shock Resistance	60G
EMC (Electromagnetic compatibility)	ISO 13766 - Earthmoving Equipment ISO 14982 - Forestry/Agricultural ISO 12985 - Handling Equipment
Load Dump	36V continuous / 58V 100 ms / 1800V 50 µs
Polarity	Protected against reverse voltage
Connection	Built-in DT 2 ways
Lens	Hardened glass
Reflector	Free form reflectors
Electronic Thermal Management	Full output @ +35°C ambient, 20% dimmed @ +50°C ambient
IP Rating	IP68, IP69K
Salt Spray	ISO 9227
Mounting	Pedestal, suspended
Weight	1.98 (lbs) / 0.9 (kgs)
Dimensions (DxWxH)	2.79x6.18x3.74" (71x157x95mm)

Part No.	Beam	Voltage	Watts
1100-LED2000-F	Flood	12-24V DC multi	15W



Flood



Authorised Importer and Master Distributor

