

ABL 500 LED3000

500 Series, 3000 Lu, 36W work lamp



Description

The ABL 500 LED series work lights are designed to exceed everyday demands in all applications. Through stringent engineering and testing practices, we ensure the highest efficiency and durability in even the harshest operating conditions. This series also includes a flood asymmetrical light pattern dedicated to applications where close range and extra wide angles are needed.

Features and Benefits

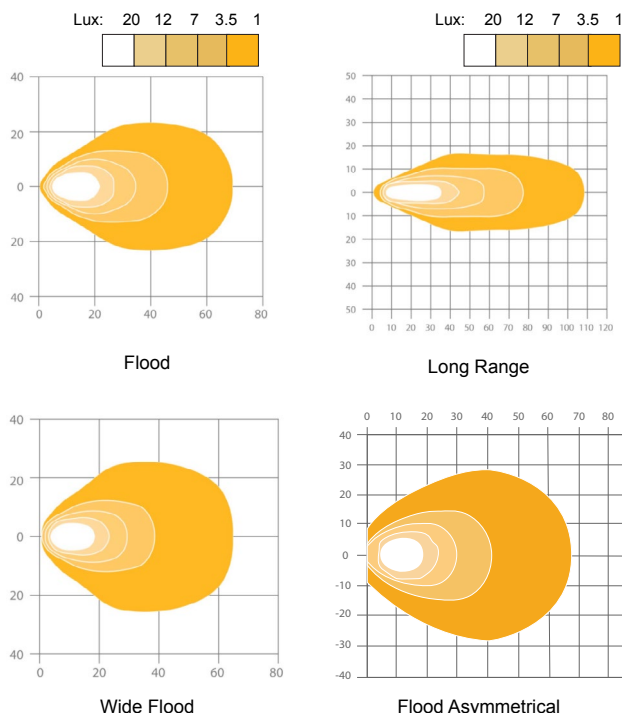
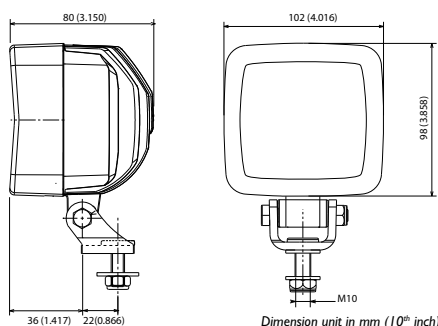
- 6 LEDs produce 3000 effective lumens from 36W
- Pedestal and suspended mounting options
- IP68, IP69K rating
- 15Grms @ 24-2000Hz Vibration and 60G Shock rating
- Available in Wide Flood, Flood, Long Range and Flood Asymmetrical

Applications

Heavy equipment, mining, construction, agriculture, forestry, material handling, utility vehicles

Tech Specs

Bulb	6 LED - 3000 Lumen
eLumens (effective)	3000 Lu
rLumens (raw)	3750 Lu
Life Time	5 years
Colour Temperature	6000K
Light Pattern	Wide Flood, Flood, Long Range, Flood Asymmetrical
Consumption	36W
Voltage	Multi 12-100V or 24V only
Intensity	1.5 Amp @ 24V
Weight	0.9 Kg
Vibration Resistance	15 Grms from 24 to 2000Hz
Shock Resistance	60 G
EMC	CISPR 25 Class 3, ISO 13 766 - ISO 14 982 - ISO 12 895
Load Dump	130V continuous 200V 100 ms 1800V 50 ms
Polarity	Protected against reverse voltage
Electronic Thermal Management	Full output @ +35°C ambient 20% dimmed @ +50°C ambient
Water Tightness	IP68 - IP 69K
Operating Temp	-40°C to +85°C
Salt Spray	ISO 9227
Lens	Hardened Glass
Connection	Built-in DT02 receptacle with harness
Reflector	Multi Lenses System
Warranty	5 Years



Part No.	Beam	Voltage	Amps (24V)	Watts
LED3000-500WF	Wide Flood	12-100V DC multi	1.5A @ 24V	36W
LED3000-500LR	Long Range	12-100V DC multi	1.5A @ 24V	36W
LED3000-500F	Flood	12-100V DC multi	1.5A @ 24V	36W
LED3000-500FA	Asymmetrical Flood	12-100V DC multi	1.5A @ 24V	36W
LED3000F-VW	Warm White 3500K	12-100V DC multi	1.5A @ 24V	36W
LED3000LR-VW	Warm White 3500K	12-100V DC multi	1.5A @ 24V	36W
LED3000-500F-24	Flood	24V only	1.5A @ 24V	36W
LED3000-500WF-24	Wide Flood	24V only	1.5A @ 24V	36W
LED3000-500LR-24	Long Range	24V only	1.5A @ 24V	36W
LED3000-500FA-24	Asymmetrical Flood	24V only	1.5A @ 24V	36W



Authorised Importer and Master Distributor

