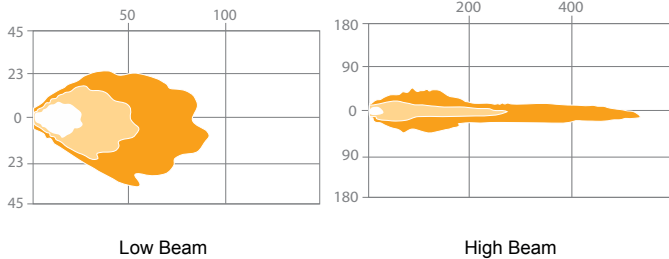
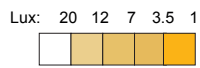
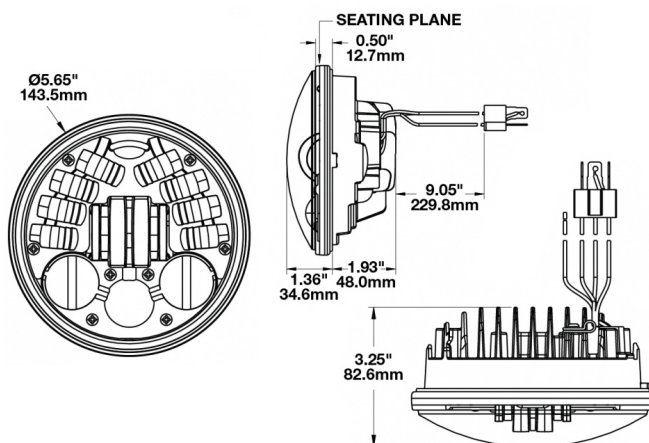


Speaker 8690 M Series LED Motorcycle Headlight



Description

Motorcycle retrofit upgrade for PAR46 (5.75" round) headlights. The Model 8690 M Series by JW Speaker is the perfect balance between form and function, offering an innovative retrofit LED upgrade for ANY motorcycle with a 5.75" headlight. This headlight is the first to utilise Speaker's state-of-the-art ComfortLite™ high beam as well as low beam, providing added illumination above the horizon with a powerful punch of light down the road. The proprietary solid optics offer enhanced visibility to both riders and other drivers, for a new level of rider comfort.

Features and Benefits

- Solid optics and powerful LEDs produce 60,000 candela (1,600 effective lumens) of bright, white light.
- Enhanced visibility using Speaker's ComfortLite high beam, delivering a more powerful punch down the road and additional light above the horizon.
- The best-performing plug & play upgrade for 5.75" (PAR46) sealed beam motorcycle headlights in the aftermarket.
- Heavy-duty, die-cast aluminium housing and state-of-the-art LEDs provide rugged durability.
- New patented design offers a one-of-a-kind look, featuring ComfortLite™ optics for both high and low beam for the first time.
- Engineered to be dual-compliant (DOT & ECE), the Model 8690 M Series is 100% street legal anywhere in the world.

Applications

Motorcycles

Tech Specs

Light source	LEDs
eLumens	1,600 Lu (High beam) 1,050 Lu (Low beam)
rLumens	3,520 Lu (High beam) 2,120 Lu (Low beam)
Colour Temperature	5000K
Beam Pattern	Forward Lighting - High beam (DOT/ECE) Forward Lighting - Low beam (DOT/ECE) Forward Lighting - Signalisation
Current Draw	3.2A @ 12V (High beam) 1.9A @ 12V (Low beam) 0.21A @ 12V (Front position)
Voltage	12V DC
Operating Temperature	-40°C to +65°C
Retrofits	PAR46 Headlights
Lens	Polycarbonate
Lens Colour	Clear
Electrical Connection	H4, AMP#172615-2
IP Rating	IP67K
Weight	1.80 (lbs) / 0.82 (kgs)
Dimensions (DxWxH)	3.25x5.65x5.65" (82.6x143.5x143.5mm)

Part No.	Description	Voltage
8690M-Bik	8690 M Series PAR46 Sealed Beam LED 12V Motorcycle Headlight ECE/DOT Chrome Beze	12V DC
8690M-Chr	8690 M Series PAR46 Sealed Beam LED 12V Motorcycle Headlight ECE/DOT Black Bezel	12V DC

Authorised Importer and Master Distributor

