

J.W. Speaker A770 Red / Blue

5" x 3" LED Safety Lamps



Description

The Model 770 BLU and 770 RED represents a new way of thinking about visual safety devices. Traditional visual warning devices (ex. strobes) are most effective when a pedestrian is able to see the fork lift coming. It projects a bright, highly concentrated blue beam pattern on the ground in the direction that the fork lift is moving.

Features and Benefits

- Lens: durable glass
- Xenoy housing and universal trunnion mount
- Electrical Connection: integrated 2-Pin Deutsch Weatherproof Socket (DT04-2P)
- Surge: 150V Peak @ 1Hz-100 Pulses
- Dim (DxWxH): 4.02x10.18x4.87" (102.3x258.5x128.8mm)
- Weight: 2.60 lbs (1.18kg)
- Warranty: 5 years, IP Rating: IP69K

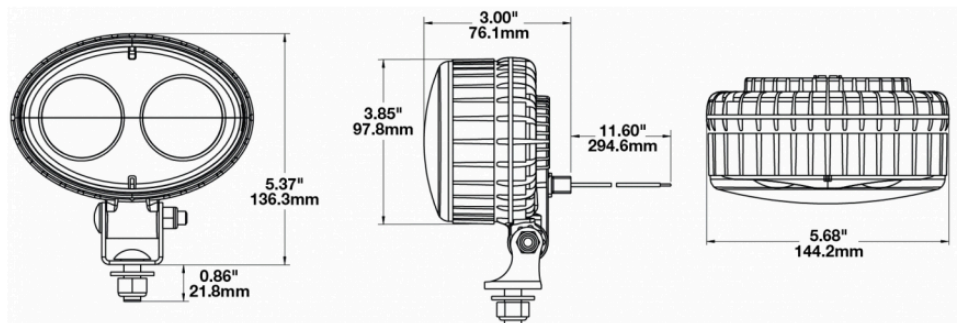
Applications

Material Handling.

Tech Specs

| | |
|-------------------------------|---|
| Description | 12-110V LED Blue Safety Spot Light 12-110V LED Red Safety Spot Light |
| Dimensions (HxWxD) | 137.16 x 144.27 x 87.88 mm (5.4 x 5.68 x 3.46" inches) |
| Shape | Oval |
| Housing Material | Polycarbonate |
| Housing Color | Black |
| Mounting Hardware | (x1) M10-1.5 x 22mm |
| Mounting Type | Universal Pedestal Mount |
| Minimum Operating Temperature | -40°C / -40°F |
| Maximum Operating Temperature | 65°C / 149°F |
| Connector or Wiring | Integrated |
| Mating Connector | AMP (#180923) |
| Product Weight | 1.31 (lbs) / 0.59 (kgs) |
| Input Voltage | 12-110V DC |
| Operating Voltage | 9-120V DC |
| Red Wire | Positive |
| Black Wire | Negative |
| Current Draw | 0.50A @ 12V DC 0.12A @ 60V DC 0.08A @ 110V DC |

| Product | Beam | Type | Voltage | Amps (12V) | IP Rating |
|---------|------|--------------------------------|------------|------------|-----------|
| 770-BLU | Spot | Material Handling Safety Light | 12-110V DC | 0.50A | IP69K |
| 770-RED | Spot | Material Handling Safety Light | 12-110V DC | 0.19A | IP69K |



Authorised Importer and Master Distributor

