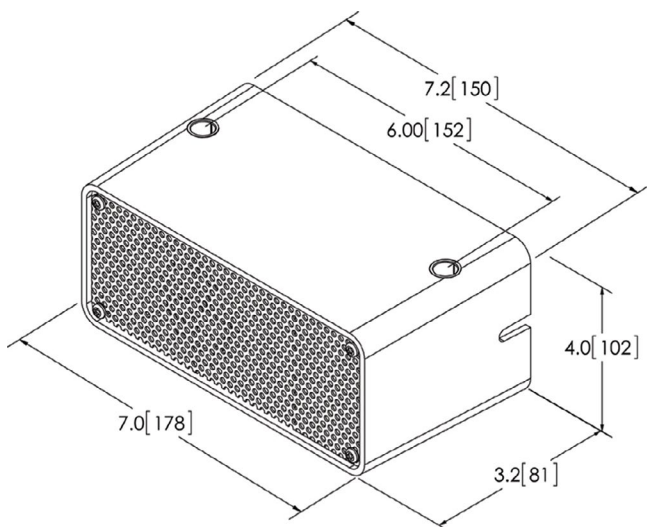


Preco Multi Frequency MF100 Series

Providing A Solution To Potential Noise Pollution



Description

The Multi-Frequency back-up alarm provides a solution to potential noise pollution created by back-up alarms in confined or densely populated work areas. The Multi-Frequency alarm maintains a safe warning signal for those in the danger zone of backing vehicles while minimizing disturbance to work site neighbors.

The Multi-Frequency alarm operates by emitting sound at multiple frequencies attenuated above 4000Hz so that the sound is perceived to dissipate more quickly than a conventional pure-tone alarm. In addition, driver technology used in the MF102 and MF107 models extends the life expectancy of the alarm, so much so, that a vehicle life warranty is offered.

Features and Benefits

- Universal mounting bracket maximizes location options
- Lead Wire
- Sealed in epoxy for protection against dust, moisture and vibration

Tech Specs

Model	MF103 MF107
Voltage	12 - 24V DC
Type	Back-up Alarms
Amps	0.6 (MF102) 0.8 (MF107)
Decibels	102 (MF102) 107 (MF107)
Connection	2-18 AWG Lead Wire (MF102-MF107)
Temperature Range	-40°F to +185°F (-40°C to +85°C)
Approvals	SAE J994 ECE R10, AMECA
Warranty	MF102, MF107 • Vehicle Life Warranty

Part No.	Description
MF107	Preco Back-up Alarm SRS Multi Frequency Series 107DB Self Adj 12-24V
MF102	Preco Back-up Alarm SRS Multi Frequency Series 102DB Self Adj 12-24V



Authorised Importer and Master Distributor

