

Speaker 785

Case OEM Skid Steer LED Work Lamp



Description

The Model 785 work light offers dark work-sites better visibility while using less power. This fixture is designed for CASE skid steers and more and to retrofit to the lighting shroud/hole on the CASE skid steers.

The Model 785 work light fits Case Skid Steers, for 12V DC systems:

- SR (wheel radial lift)
- SV (wheel vertical lift)
- TR (track radial lift)
- TV (track vertical lift)

Features and Benefits

- Better visibility – Brighter, whiter output using less power
- Focused light – Lens optics place light where it's needed
- Reduced fatigue from daylight color and decreased eyestrain
- Rugged LEDs withstand vibration and abuse
- Higher productivity – No more downtime due to burned-out bulbs!
- Increased safety at dark worksites

Applications

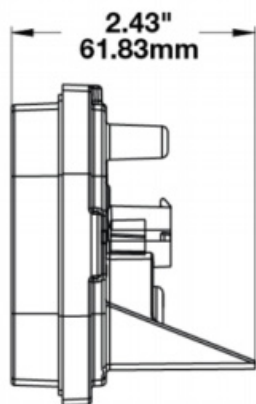
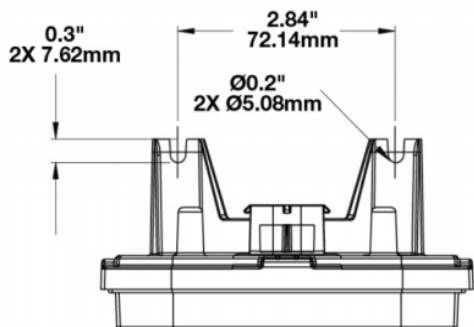
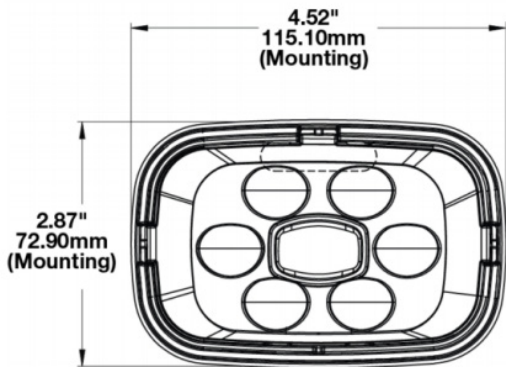
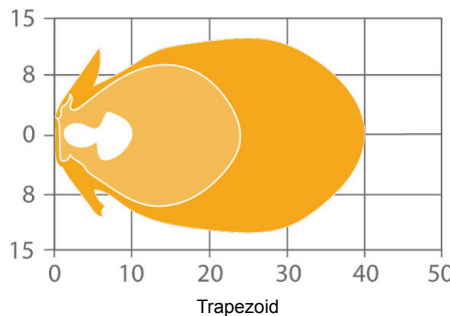
Industrial, CASE skid steers

Tech Specs

Input Voltage	12V DC
Operating Voltage	9-16V DC
Current Draw	1.2A @ 12V DC
rLumens	1,242Lu
eLumens	460Lu
Beam Patterns	Trapezoid
Minimum Operating Temperature	-40 °C / -40 °F
Maximum Operating Temperature	65 °C / 149 °F
Housing Material	Nylon 66
Outer Lens Material	Polycarbonate
Outer Lens Color	Clear
Weight	0.33 lbs / 0.15 kgs
Compliance Standards	Buy America Standards Eco Friendly IEC IP67 IEC IP69K

Part No.	Description
785-T	12V LED Work Light with Trapezoid Beam Pattern
785-T-KIT	12V LED Work Light with Trapezoid Beam Pattern – 2 Light Kit

Lux: 20 12 7 3.5 1



Authorised Importer and Master Distributor

