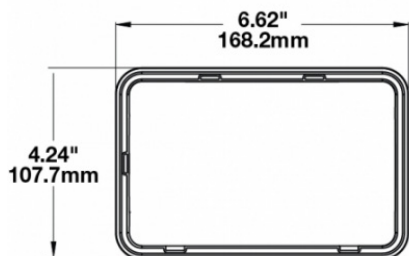
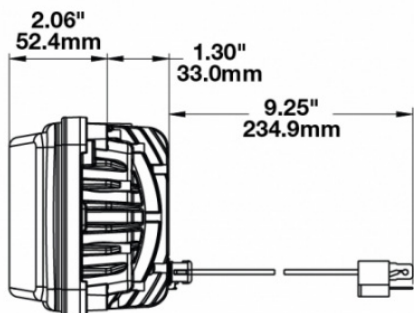
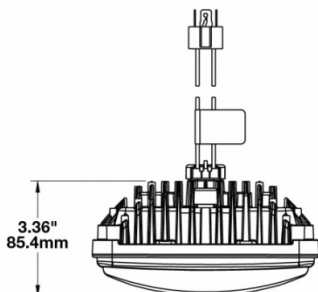


Speaker 8800 Evolution Series 2

A High Performance 4x6" LED Headlight



Description

The 8800 Evolution 2 provides a high performance 4x6" LED headlight, available with a SmartHeat™ heated lens! This headlight is the industry's first to meet proposed National Highway Transportation Safety Administration (NHTSA) guidelines for a 5-Star NCAP-compliant low beam headlight.

Features and Benefits

- Meets proposed National Highway Transportation Safety Administration (NHTSA) guidelines for a 5-Star NCAP-compliant low beam headlight
- Heated versions available (contact APS)
- Drop-in replacements for typical buckets/panels used in heavy-duty trucks
- Tough, die-cast housing, with added protection from salt spray for efficient thermal management
- Superior condensation management
- Street legal supporting DOT, Transport Canada ECE and Military standards & requirements

Applications

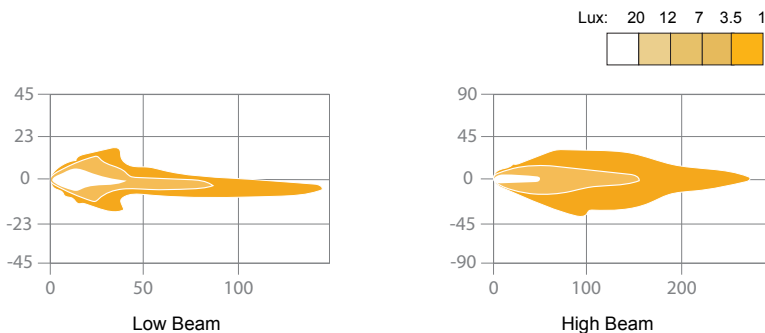
Trucks and buses

Tech Specs

Input Voltage	12-24V DC
Operating Voltage	9-32V DC
Current Draw	3.30A @ 12V DC 1.67A @ 24V DC
Beam Patterns	Low Beam or High Beam
Dimensions (DxWxH)	3.34 x 6.59 x 4.21 inches (84.83 x 167.39 x 106.93 mm)
Minimum Operating Temperature	-40 °C / -40 °F
Maximum Operating Temperature	65 °C / 149 °F

Standards Compliance	Buy America Standards
	ECE Reg 112
	Eco Friendly
	FMVSS 108 Table XIX IEC IP69K
Warranty	5 Years

Part No.	Description
88002-DOT/ECE-CB-HB	High Beam
88002-DOT/ECE-BB-HB	High Beam
88002-DOT/ECE-CB-LB	Low Beam
88002-DOT/ECE-BB-LB	Low Beam



Authorised Importer and Master Distributor

