

# LW460 Series LED Walkway Light



## Description

This Nanhua LED walkway light is specially designed for the cabin rooms and walkways of large-scale port cranes (RTG, RMG, QC, STS), interior luminaires of wind turbines (nacelle, tower and hub) and the passages of marine vessels.

## Features

- Employs a 5mm tempered glass diffuser to protect it from ageing and fading
- Has a frosted finish that prevents glaring
- Has a lifetime of up to 50,000 hours with superb energy reduction
- Comes with a long term operational stability, free of maintenance
- Its compact and adjustable mounting bracket makes it convenient for field installation
- The air valve is designed to protect the electronic components from being over-heated and is guaranteed for longevity.

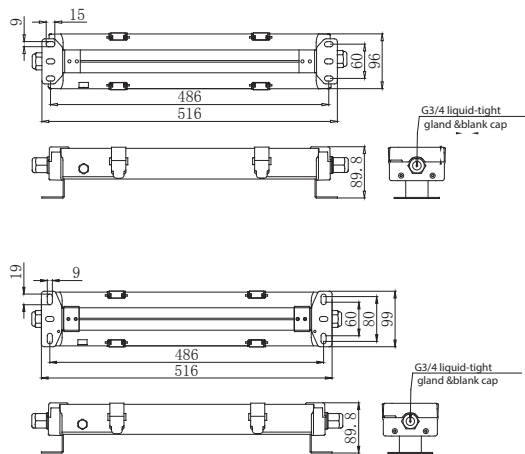
## Applications

Walkways, corridors, platforms

## Tech Specs

Operating Voltage	AC100V-AC240V/DC24V-DC48V/AC36V (can be customized)
Power Consumption	12W
CCT	5500K-6000K
LED Efficacy	100lm/w
Frequency	50Hz ~ 60Hz
Lifetime	≥50,000hrs
CRI	Ra>72
Beam Angle	>120°
Working Temperature	-40°C ~ +50°C
IP Class	IP65
Material	Lens: tempered glass, Base: aluminum
Humidity	10% - 95% (no coagulation)
Storage Temperature	-40°C ~ +70°C
Weight	2.5kg

Part No.	Beam Angle	eLumens	Voltage	Watts
LW460	>120°	1200 Lu	100-240V AC, 24-48V DC, 36V AC (can be customized)	12W/8W



Authorised Importer and Master Distributor

