

5585 Reflex Series SAE Class I LED Minibar



A Compact Yet Powerful Warning Solution



Description

ECCO LED minibars provide a compact yet powerful warning solution that offers the flexibility of either permanent or vacuum-magnet mounting. Featuring 12-24 VDC operation, ECCO uses high intensity LED and reflective technology to maximize light output. Users can select from 18 flash patterns, either via trigger wire on the permanent mount models or a cigarette plug switch on magnetic models. Permanent mount models can also be synchronized to operate multiple lights alternately or simultaneously.

Features and Benefits

- 5.1A @12V DC
- Eight LED reflector modules, each comprising three LEDs provide high intensity light output
- Choice of 18 flash patterns
- Synchronization capable (permanent mount only)
- Cigarette plug with on/off and flash pattern selection switch (vacuum-magnet only)
- Polycarbonate base & low profile lens
- SAE J845 Class I, California Title 13, CE, e
- Temperature Range: -22°F to +122°F (-30°C to +50°C)
- Warranty: 3 years

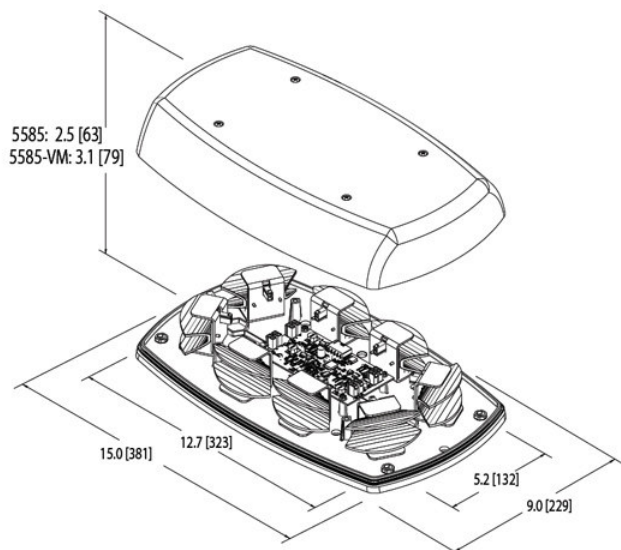
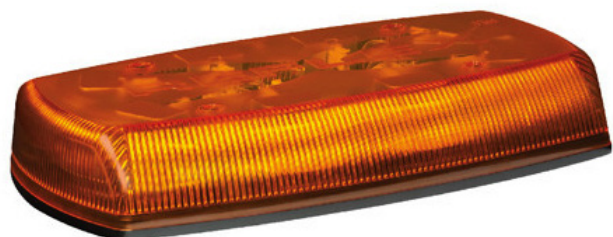
Tech Specs

Amps	5.1
Illumination	Amber
Voltage	12-24V DC
Warranty	3 Years

Flash Patterns

1 Quad	10 Double, Alternate Side-to-Side
2 Double	11 Double, Diagonal Alternate
3 Fast Double	12 Quint-hold, Alternate Side-to-Side
4 Slow Quad	13 Quint-hold, Diagonal Alternate
5 Slow Double	14 Fast Rotate
6 Quint-hold	15 Rotate / Quad
7 Burst	16 Wave Rotate
8 Quad, Alternate Side-to-Side	17 Random
9 Quad, Diagonal Alternate	18 Steady On

Part No.	Dome Color	LEDs	Mount
5585A	Amber	Amber	Permanent
5585CA	Clear	Amber	Permanent
5585-CRB	Clear	Red and Blue	Permanent
5585-CAG	Clear	Amber and Green	Permanent
5585A-VM	Amber	Amber	Vaccum-Magnet
5585CA-VM	Clear	Amber	Vaccum-Magnet
5585-CRB-VM	Clear	Red and Blue	Vaccum-Magnet
5585-CAG-VM	Clear	Amber and Green	Vaccum-Magnet



Authorised Importer and Master Distributor

