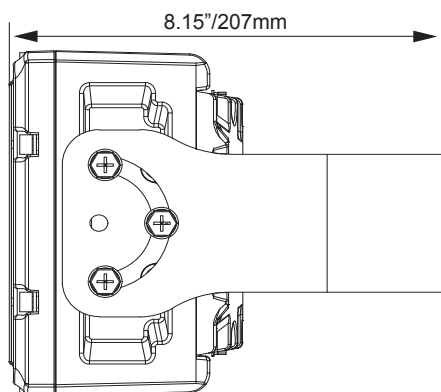
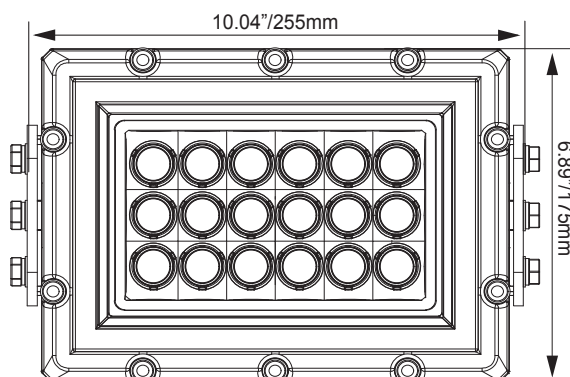


High Bay ATEX/Ex Series

ATEX CE0575 EX II 2G Ex d II B T5 Gb



Description

The High Bay ATEX/Ex Series 40W light fixture by Vision X was designed for Hazardous Area applications.

Tech Specs

Type	18 x XP-E (CREE) LEDs
Lumens	3,500 Lu
Beam Patterns	Spot 10° (SD), Narrow 25° (ND), Flood 60° (FD)
Colour Temperature	6000K
Voltage	90-277V AC (Standard), 480V AC (HV - High Voltage)
Wattage	40W
Current Draw	0.43A @ 115V AC, 0.22A @ 230V AC, 0.18A @ 277V AC
Operating Temperature	-40°C - 40°C
Vibration	15.6Grms
IP Rating	IP68, IP69k

Certifications / Ratings ATEX/Ex: Zone 1, Zone 2, EX d, II B. **EMC Emission:** EN55015, EN55022 (CISPR22) Class B, EN61000-3-2, Class C (@Load ≥ 50%); EN61000-3-3. **EMC Immunity:** EN61000-4-2,3,4,5,6,8,11, EN61547, EN55024, Light Industry Level (surge immunity) Line-Earth 4KV, Line-Line 2KV

Short Circuit	Constant current limiting, recovers automatically after fault condition is removed
Housing and Lens	Die-Cast 6061 Aluminium, Black in color. Polycarbonate Lens
Weight	21 lbs (9.5kg)
Dimensions (D, W, H)	8.15x10.04x6.89" (207x255x175mm)

Part No.	eLumens	Beam	Voltage	Watts
LUC18E-10	3500 Lu	Spot 10°	90-277V AC	40W
LUC18E-25	3500 Lu	Narrow 25°	90-277V AC	40W
LUC18E-60	3500 Lu	Flood 60°	90-277V AC	40W

Authorised Importer and Master Distributor

