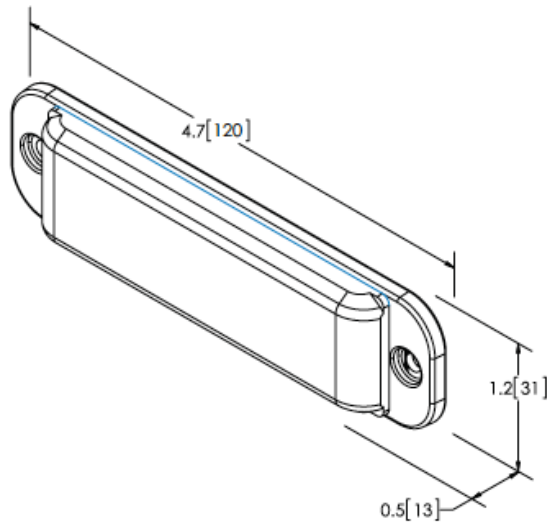
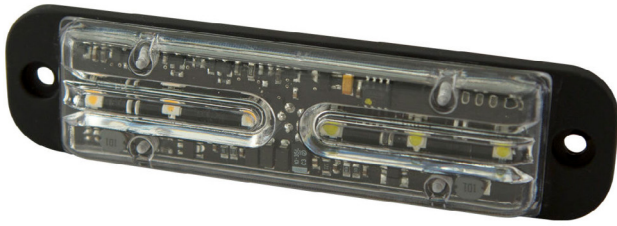


ECCO ED3701 Series



SAE Class I Single or Split-Color Surface Mount



Description

ED3701 directional LEDs are bright and versatile warning lights that are suited to a wide variety of applications. Their ultra-low profile makes them easy to install virtually anywhere on a vehicle. Offering wide angle optics and multiple flash patterns, including synchronization with other units for simultaneous or alternating operation. ED3701 models feature 6 LEDs and are available in either single color or split-color configurations (3 LEDs of each color).

Features and Benefits

- High-intensity LEDs provide exceptional warning
- 13 flash patterns
- Ultra low-profile surface mount
- Synchronizable
- Die cast base with polycarbonate lens
- Temperature Range: -22°F to +122°F (-30°C to +50°C)

Flash Patterns

- Single
- Fast Single
- Double
- Fast Double
- Quad (default)
- Fast Quad
- Triple
- Quint
- Steady – Single
- Steady Burn
- Modulation
- 2 Double, 2 Triple, Alt
- 4 Single, 2 Quad, Alt

Tech Specs

| | |
|-----------------------|--|
| Voltage | 12-24V DC |
| Amps | 0.8A |
| Color Configuration | Solid or Split |
| Temperature Range | -22°F to +122°F (-30°C to +50°C) |
| Standards Compliances | SAE Class I California Title 13 R65 R10 |
| Warranty | 3 Years |

| Part No. | Description |
|----------|---|
| ED3701A | ECCO ED3701 Series: Amber, 12-24V DC, 0.8A, Solid Color |
| ED3701B | ECCO ED3701 Series: Blue, 12-24V DC, 0.8A, Solid Color |
| ED3701C | ECCO ED3701 Series: Clear, 12-24V DC, 0.8A, Solid Color |
| ED3701G | ECCO ED3701 Series: Green, 12-24V DC, 0.8A, Solid Color |
| ED3701R | ECCO ED3701 Series: Red, 12-24V DC, 0.8A, Solid Color |
| ED3701AB | ECCO ED3701 Series: Amber/Blue, 12-24V DC, 0.8A, Split Color |
| ED3701AC | ECCO ED3701 Series: Amber/Clear, 12-24V DC, 0.8A, Split Color |
| ED3701AG | ECCO ED3701 Series: Amber/Green, 12-24V DC, 0.8A, Split Color |
| ED3701AR | ECCO ED3701 Series: Amber/Red, 12-24V DC, 0.8A, Split Color |
| ED3701BC | ECCO ED3701 Series: Blue/Clear, 12-24V DC, 0.8A, Split Color |
| ED3701RB | ECCO ED3701 Series: Red/Blue, 12-24V DC, 0.8A, Split Color |
| ED3701RC | ECCO ED3701 Series: Red/Clear, 12-24V DC, 0.8A, Split Color |

| Accessories | Description |
|-------------|---|
| 3702-BKBZ | ECCO ED3701 Series: Black Bezel |
| 3702-CHBZ | ECCO ED3701 and ED3702 Series: Chrome Bezel |



Authorised Importer and Master Distributor

