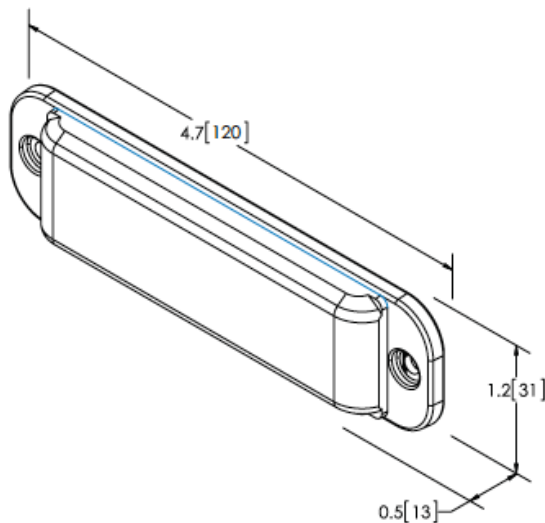


ECCO ED3702 Series

SAE Class I Solid, Split & Dual Color Surface Mount



Description

ED3702 directional LEDs are bright and versatile warning lights that are suited to a wide variety of applications. Their ultra-low profile makes them easy to install virtually anywhere on a vehicle. Both models offer wide angle optics and multiple flash patterns, including synchronization with other units for simultaneous or alternating operation. The ED3702 is a dual-color light featuring 12 LEDs (6 of each color) and available in 7 color configurations.

Features and Benefits

- 6 or 12 high-intensity LEDs
- Ultra low-profile
- Dual color warning
- Single and split color models feature 13
- Flash patterns with 29 modes
- Dual color models feature 12 flash patterns with 62 modes
- Synchronizable
- Die cast base, polycarbonate lens

Tech Specs

Voltage	12-24V DC
Amps	1.5A @ 12V
Mount	Surface Mount
Standards Compliance	SAE J595 Class I, California Title 13, R65, R10
Temperature Range	-22°F to +122°F (-30°C to +50°C)
Warranty	3 Years

Part No.	Description
ED3702-AB	ECCO ED3702 – Amber and Blue
ED3702-AC	ECCO ED3702 – Amber and Clear
ED3702-AG	ECCO ED3702 – Amber and Green
ED3702-AR	ECCO ED3702 – Amber and Red
ED3702-BC	ECCO ED3702 – Blue and Clear
ED3702-RB	ECCO ED3702 – Red and Blue
ED3702-RC	ECCO ED3702 – Red and Clear
ED3702-RBW	ECCO ED3702 – Red, Blue and White
ED3702-RBA	ECCO ED3702 – Red, Blue and Amber
ED3702-RAW	ECCO ED3702 – Red, Amber and White
ED3702-BAW	ECCO ED3702 – Blue, Amber and White
ED3702-AGW	ECCO ED3702 – Amber, Green and White

Accessories	Description
3702-BKBZ	ECCO ED3701 Series: Black Bezel
3702-CHBZ	ECCO ED3701 and ED3702 Series: Chrome Bezel



Authorised Importer and Master Distributor

