

ABL 3800 LED

Combination Heavy-duty Driving Light



Description

The ABL 3800 LED combination drive light is an ECE approved full LED product designed for on-road and off-road vehicles. Along with numerous mounting operations, the high vibration performance of this full LED combination light allows industrial vehicles to endure extreme working conditions with virtual-free maintenance for their homologated driving lights package.

Features and Benefits

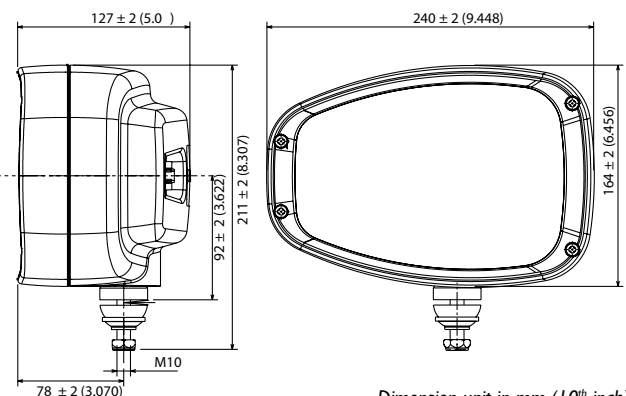
- Full LED combination drive light
- ECE homologated
- 5 functions integrated
- 15Grms from 24 to 2000Hz vibration resistance
- 60G shock resistance
- Easy one to one halogen replacement
- Pedestal, suspended, and rear swivel mounting options

Applications

Suitable for off and on-road applications

Tech Specs

Light source	LEDs
Colour Temperature	6000°K
Beam Pattern	ECE R112 High / Low Beam, ECE R6 Turn Signal and Repeater, ECE R7 Pilot Light
Wattage	22W High Beam, 32W Low Beam
Current Draw	1.29A @ 24V (Low Beam), 0.85A @ 24V (High Beam)
Voltage	12-24V DC multi
Operating Temperature	-40°C to +85°C
Vibration Resistance	15 Grms from 24 to 2000Hz
Shock Resistance	60 G
EMC	ISO 13766 (Earthmoving Equipment), ISO 14982 (Forestry/Agricultural) ISO 12985 (Handling Equipment) CISPR25 (Radio compatibility)
Load Dump	36V continuous - 72V 100 ms - 1800 V 50 μs
Polarity	Protected against reverse voltage
Connection	Built-in DT 6 ways, Cable compression seal PG11
Lens	Hardened glass
Reflector	Free form reflectors plus aspherical lenses modules
Electronic Thermal Management	Protected against over heating
IP Rating	IP 68, IP 69K
Salt Spray	ISO 9227
Mounting	Pedestal, suspended, rear swivel
Weight	4.3 (lbs) / 1.95 (kgs)
Dimensions (DxWxH)	5.0x9.45x8.31" (127x240x211mm)



Part No.	Voltage	Amps (24V low beam)	Amps (24V high beam)	Watts (low beam)	Watts (high beam)	Mounting Option
3800LED-12/24-P	12-24V multi	1.29A	0.85A	32W	22W	Pedestal
3800LED-12/24-R	12-24V multi	1.29A	0.85A	32W	22W	Rear
3800LED-12/24-S	12-24V multi	1.29A	0.85A	32W	22W	Suspended
3800LED-12/24-VL	12-24V multi	1.29A	0.85A	32W	22W	Vertical Left
3800LED-12/24-VR	12-24V multi	1.29A	0.85A	32W	22W	Vertical Right
3800LED-12/24-VRE	12-24V multi	1.29A	0.85A	32W	22W	Vertical Rear



Authorised Importer and Master Distributor

