

LF23 Series LED Flood Light



Description

The LF23 is a 300W fixture that is specially designed for lighting systems of port terminals (port cranes and high mast towers), mines, sport stadiums and large buildings.

Features

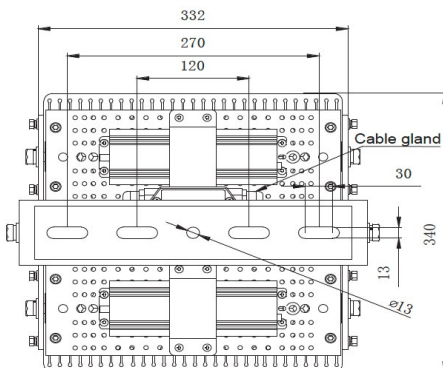
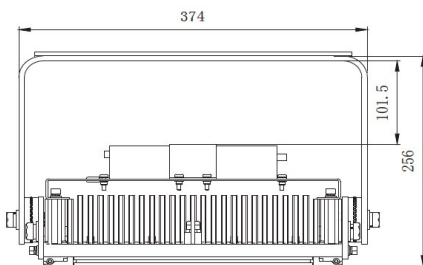
- Reliable LED light source
- Integrated module design with optical lens for light distribution
- Forged aluminum alloy body for optimal heat emission
- Light weight and heavy-duty structure design
- Shockproof and corrosion resistant
- IP65 provides ingress protection for onshore application
- Optional power consumption and beam angle
- 12° interval adjustable bracket
- Bracket allows for flexible beam angles
- Comes with safety chain to ensure protection
- Certificates: CE, SAA

Applications

Port terminals, industrial, mines, buildings, cranes, stadiums

Tech Specs

Type	LEDs
Light Efficacy	110 Lu/W (cool white) 95 Lu/W (warm white)
Lumens	33,000 Lu (cool white), 28,500 (warm white)
Colour Temperature	5500K-6000K (cool white) 2700K-3000K (warm white)
Voltage	200~240V AC (50Hz~60Hz)
Wattage	300W
Beam Angle	15°, 25°, 60° options
Humidity	10% ~ 95% (no coagulation)
Operating Temperature	-30 °C to +60 °C (thermal protection)
Vibration	5G
Certifications	CE, SAA
IP Rating	IP65
Salt Spray	ISO9227 720H
Power Factor	>0.9
Housing	Forged aluminum alloy
Lens	Tempered glass
Weight	37.48 lbs (17kg)
Dimensions (D, W, H)	10.08x14.72x13.39" (256x374x340mm)



Part No.	Beam Angle	Lumens	Voltage	Watts
LF23	15°, 25°, 60° options	33,000 Lu (cool white), 28,500 (warm white)	200~240V AC	300W

Authorised Importer and Master Distributor

