

JWS Model 710 160° Forklift Work Light



Forklift / Warehouse LED Work Light



Description

The Model 710 is a compact 160° forklift work light that provides targeted illumination for warehouse shelving. This fixture outshines stock forklift lights by generating a broad 160° light beam spread on the vertical plane and 45° light beam spread on the horizontal plane. A mounting kit allows for functional positioning, providing a safer and more productive workplace for your crew.

Features and Benefits

- Compact flush-mount design for mounting flexibility
- 160° vertical light beam spread (full beam pattern)
- 45° horizontal light beam spread (on all beams)
- Three settings: driving, high, and full
- Powerful punch of light in both vertical and horizontal planes
- Rugged polycarbonate housing
- Integrated 3-pin Packard connector

Applications

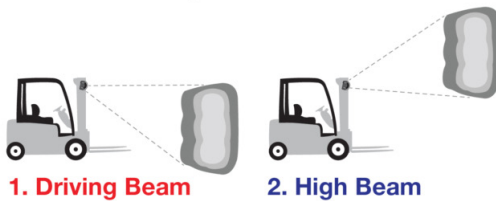
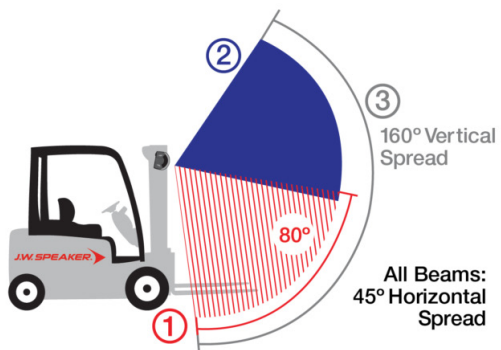
Construction, Industrial, Material Handling, Specialty Vehicles, Trucks and Buses

Tech Specs

Input Voltage	12-110V DC
Beam Pattern	160° vertical light beam spread (full beam pattern) 45° horizontal light beam spread (on all beams)
Operating Voltage	9-110V DC
rLumens	2,000 (6 LED's) 1,630 (3 LED's)
eLumens	1,600 (6 LED's) 780 (3 LED's)
Current Draw	1.54A @ 12V DC (3 LED's)
	0.67A @ 24V DC (3 LED's)
	0.33A @ 60V DC (3 LED's)
	0.20A @ 110V DC (3 LED's)
	1.59A @ 12V DC (6 LED's) 0.74A @ 24V DC (6 LED's) 0.34A @ 60V DC (6 LED's) 0.23A @ 110V DC (6 LED's)
Transient Spike Protection	330V Peak @ 1 HZ-100 Pulses
Weight	1.10 lbs / 0.5 kgs
Mounting Type	Flush
Standards Compliances	Buy America Standards Eco Friendly

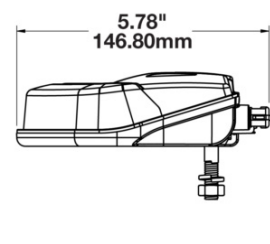
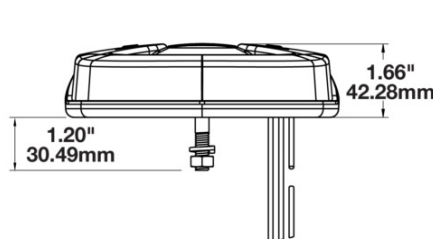
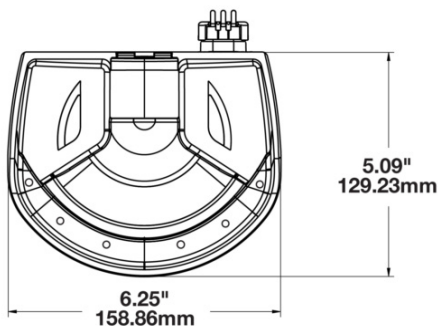
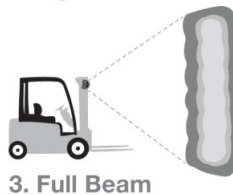
Part No.	Description
710F	12-110V, Vertical Flood Beam Pattern

Accessories	Description
710M	Flush Mounting Kit



At 3m on Full Beam:

Max Lux: 116
Pattern Shape:
2.8m x 22.4m



Authorised Importer and Master Distributor

