

ECCO 6465 Series

SAE Class III LED Beacon



Description

ECCO's maintenance free 6465 Series LED Beacon features a Pulse8 flash pattern, producing a warning signal that is ideal for industrial-type applications. The long, maintenance-free service life of LED technology, backed by a 3-year warranty, make this a perfect replacement solution for existing strobe beacons. This cost-effective light features a wide 12-80V operating range that also makes it ideal for use on electrically-powered vehicles and equipment.

Features and Benefits

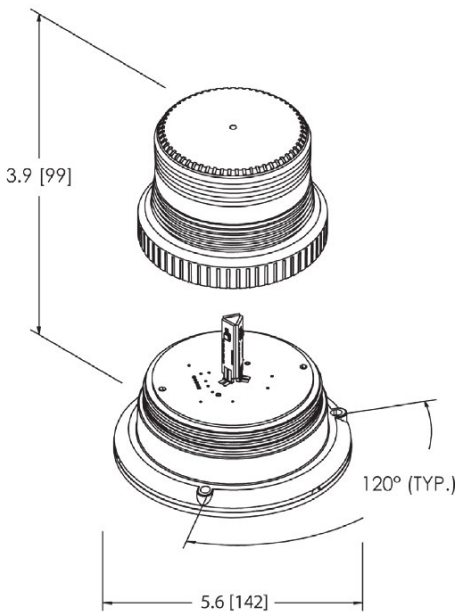
- Pulse8 (8 flash per cycle) flash pattern
- Reinforced-nylon base and polycarbonate lens
- Temperature Range: -22°F to +122°F (-30°C to +50°C)

Tech Specs

Voltage	12-80V DC
Flash Pattern	85 Pulse8 FPM
Amps	1.9A
Mount	3 Bolt Flange (6465X) Magnet (6465X-MG) Semi-Permanent HBT (6465X0HBT)
Color Lenses	Amber (R6400LA) Blue (R6400LB) Clear (R6400LC) Green (R6400LG) Red (R6400LR)
Approval	SAE J845 CLASS III, CE, R10, UL, ROHS
Warranty	3 Years

Part No.	Description
6465A	Amber Lens, 3 Bolt Flange Mount
6465R	Red Lens, 3 Bolt Flange Mount
6465C	Clear Lens, 3 Bolt Flange Mount
6465G	Green Lens, 3 Bolt Flange Mount
6465B	Blue Lens, 3 Bolt Flange Mount
6465B-MG	Blue Lens, Magnet Mount
6465G-MG	Green Lens, Magnet Mount
6465C-MG	Clear Lens, Magnet Mount
6465R-MG	Red Lens, Magnet Mount
6465A-MG	Amber Lens, Magnet Mount
6465A-HBT	Amber Lens, Semi-Permanent HBT
6465B-HBT	Blue Lens, Semi-Permanent HBT
6465R-HBT	Red Lens, Semi-Permanent HBT
6465C-HBT	Clear Lens, Semi-Permanent HBT
6465G-HBT	Green Lens, Semi-Permanent HBT

Accessories	Description
R6600CP	ECCO 15' cigarette cord and plug used with A6600MK, 6400, 6500, 6600, 6900 & 7900 Series
A6400BG	ECCO 4" Branch guard used with 6400 Series
R6400LG	ECCO 6465 Series Green Lens Only
R6400LA	ECCO 6465 Series Amber Lens Only
R6400LC	ECCO 6465 Series Clear Lens Only
R6400LB	ECCO 6465 Series Blue Lens Only
R6400LR	ECCO 6465 Series Red Lens Only



Authorised Importer and Master Distributor

