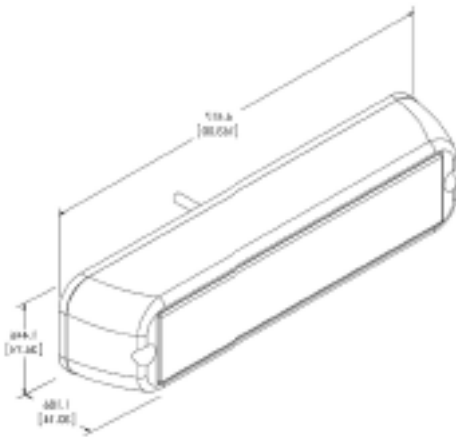


# ECCO ED3766 Series

## Dual or Tri-Color - SAE Class I



### Description

The ED3766 dual-color directional LED warning light offers the flexibility of two different color outputs within a single unit. Comprising 12 high-intensity LEDs, dual-color models feature 6 of each color. SAE Class I light output, synchronization capability and the choice of 12 flash patterns allows the creation of an attention-getting, multi-color warning system with half the number of lights typically required. Each model can be programmed to flash either color option individually or alternate between the two.

### Features and Benefits

- 12 (dual) or 18 (tri) high-intensity LEDs provide exceptional warning
- Six LEDs per color
- 12 flash patterns
- Synchronizable
- Aluminum housing, polycarbonate lens
- Temperature Range: -22°F to +122°F (-30°C to +50°C)

### Flash Patterns

- Single
- Fast Single
- Double
- Fast Double
- Triple
- Quad
- Fast Quad
- Modulation
- Steady Burn
- 2 Double, 2 Quad, Alt
- 4 Single, 2 Triple, Alt
- 1 Double, 1 Triple, 1 Quad

### Tech Specs

|                          |  |
|--------------------------|--|
| Type                     | LED  |
| Voltage                  | 12-24V DC  |
| Amps                     | 0.8A @ 12V DC  |
| Flash Pattern            | 12   |
| Standards Certifications | SAE Class I, California Title 13, R65, CR, R10, IP67 |
| Warranty                 | 3 Years  |

### Applications

Trucks and Vehicles

| Part No.  | Color             | Voltage | Amps | Mount  |
|-----------|-------------------|---------|------|--------|
| ED3766AB  | Amber/Blue        | 12-24V  | 0.8  | 2 Bolt |
| ED3766AC  | Amber/Clear       | 12-24V  | 0.8  | 2 Bolt |
| ED3766AG  | Amber/Green       | 12-24V  | 0.8  | 2 Bolt |
| ED3766AR  | Amber/Red         | 12-24V  | 0.8  | 2 Bolt |
| ED3766RB  | Red/Blue          | 12-24V  | 0.8  | 2 Bolt |
| ED3766RBW | Red/Blue/White    | 12-24V  | 0.8  | 2 Bolt |
| ED3766RBA | Red/Blue/Amber    | 12-24V  | 0.8  | 2 Bolt |
| ED3766RAW | Red/Amber/White   | 12-24V  | 0.8  | 2 Bolt |
| ED3766BAW | Blue/Amber/White  | 12-24V  | 0.8  | 2 Bolt |
| ED3766AGW | Amber/Green/White | 12-24V  | 0.8  | 2 Bolt |



Authorised Importer and Master Distributor

