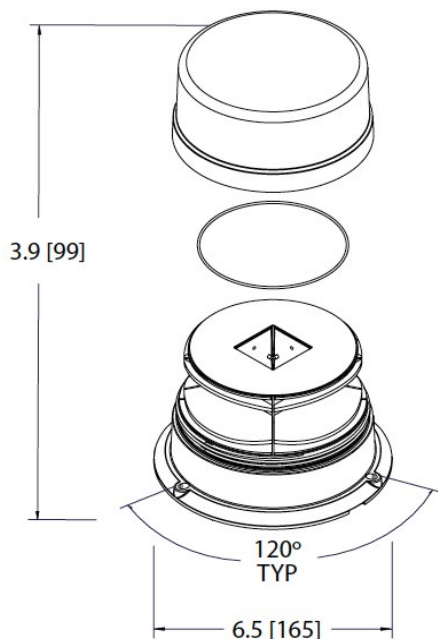


ECCO 7160 Reflex Series

SAE Class I LED



Description

The 7160 Series Reflex® LED beacon provides the ultimate level of power, versatility and style available in an LED beacon. The latest high intensity LEDs combined with reflector technology produce a powerful, SAE Class I/Cal Title 13, warning signal in a light that also offers premium features including 15 flash patterns, hi/lo intensity control and synchronization capability. Low amp draw, zero maintenance and an extended life backed by a 5 year warranty make this light an obvious choice to replace strobe or rotating lights.

Features and Benefits

- High intensity LEDs and reflector technology produce an SAE Class I warning signal
- 23 flash patterns and hi/lo intensity control Multiple units can be synchronized
- Cigarette plug with on/off and flash pattern switch (vacuum magnet only)
- Temperature Range: -22°F to +122°F (-30°C to +50°C)

Flash Patterns

- Steady Burn
- Title 13 Single (A)
- Title 13 Single (B)
- Title 13 Double (A)
- Title 13 Double (B)
- Title 13 Quad (A)
- Title 13 Quad (B)
- Double (A)
- Double (B)
- Fast Double (A)
- Fast Double (B)
- Quad (A)
- Quad (B)
- Quint Hold (A)
- Quint Hold (B)
- Burst (A)
- Burst (B)
- Slow Rotate
- Fast Rotate
- Wave Rotate
- Rotate/Quad
- Ramp Up/Down
- Random

Tech Specs

Voltage	12-24V DC
Amps	2.0A @ 12V DC
Flash Pattern	23
Mount	3 Bolt Flange/1" Pipe or Vacuum Magnet
Dimensions (W x H)	6.5 x 3.9" inches (165 x 99mm)
Approval	SAE J845 Class I, CAL. Title 13, CE, R10, IP66, ROHS
Warranty	5 Years

Part No.	Description
7160A	12-24V DC, 2.0A @ 12V DC, Amber Lens, 3 Bolt Flange/1" Pipe Mount
7160B	12-24V DC, 2.0A @ 12V DC, Blue Lens, 3 Bolt Flange/1" Pipe Mount
7160C	12-24V DC, 2.0A @ 12V DC, Clear Lens, 3 Bolt Flange/1" Pipe Mount
7160G	12-24V DC, 2.0A @ 12V DC, Green Lens, 3 Bolt Flange/1" Pipe Mount
7160R	12-24V DC, 2.0A @ 12V DC, Red Lens, 3 Bolt Flange/1" Pipe Mount
7160CA	2-24V DC, 2.0A @ 12V DC, Clear/Amber Lens, 3 Bolt Flange/1" Pipe Mount
7160CB	12-24V DC, 2.0A @ 12V DC, Clear/Blue Lens, 3 Bolt Flange/1" Pipe Mount
7160CC	12-24V DC, 2.0A @ 12V DC, Clear/Clear Lens, 3 Bolt Flange/1" Pipe Mount
7160CG	12-24V DC, 2.0A @ 12V DC, Clear/Green Lens, 3 Bolt Flange/1" Pipe Mount
7160CR	12-24V DC, 2.0A @ 12V DC, Clear/Red Lens, 3 Bolt Flange/1" Pipe Mount
7160A-VM	12-24V DC, 2.0A @ 12V DC, Amber Lens, Vacuum Mount
7160B-VM	12-24V DC, 2.0A @ 12V DC, Blue Lens, Vacuum Mount
7160C-VM	12-24V DC, 2.0A @ 12V DC, Clear Lens, Vacuum Mount
7160G-VM	12-24V DC, 2.0A @ 12V DC, Green Lens, Vacuum Mount
7160R-VM	12-24V DC, 2.0A @ 12V DC, Red Lens, Vacuum Mount
7160CR-VM	12-24V DC, 2.0A @ 12V DC, Clear/Red Lens, Vacuum Mount
7160CG-VM	12-24V DC, 2.0A @ 12V DC, Clear/Green Lens, Vacuum Mount
7160CC-VM	12-24V DC, 2.0A @ 12V DC, Clear/Clear Lens, Vacuum Mount
7160CB-VM	12-24V DC, 2.0A @ 12V DC, Blue/Clear Lens, Vacuum Mount
7160CA-VM	12-24V DC, 2.0A @ 12V DC, Amber/Clear Lens, Vacuum Mount



Authorised Importer and Master Distributor

