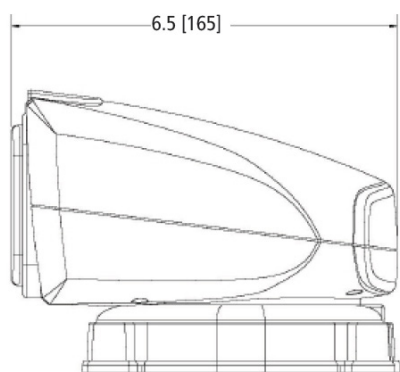
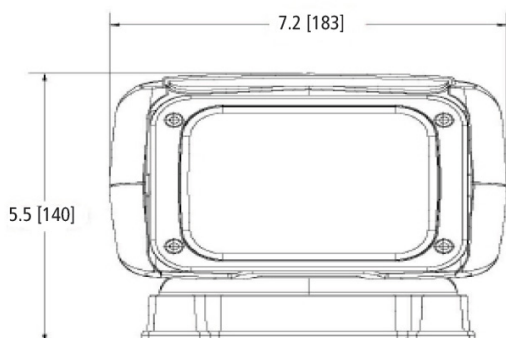


# ECCO EW3000/3001 Series

## LED Remote Spotlight



### Description

ECCO's EW3000/3001 Remote Spotlights are multifunctional, motorized searchlights featuring a 12-24V DC operation. Both spotlights can be installed wirelessly and are protected by a polycarbonate lens and the housings are available in black or white. The EW3000/3001 offers 350° rotation and a 90° tilt range, with patent pending reflective optics. ASA resin housing makes the EW3000/3001 corrosion, UV and impact resistant.

### Features and Benefits

- 1,970ft (600m) beam distance
- 350° rotation, 90° tilt range
- Permanent or magnet mount available
- Aluminum heatsink light head
- Polycarbonate housing

### Application

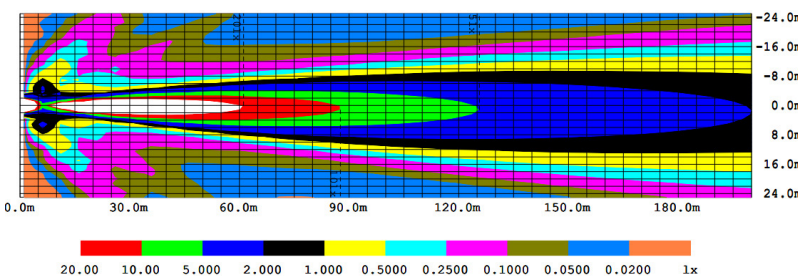
Work and service vehicles, 4WD and recreational vehicles, military vehicles, emergency services

### Tech Specs

Beam	Spot
Housing Color	Black (EW3000) or White (EW3001)
Voltage	12-24V DC
Amps	1.7A @ 12V DC
rLumens	1645 Lu
eLumens	1507 Lu
Beam Distance	2,050ft
Candelas	88,000
Rotation	350°
Tilt Range	90°
Illuminance	92.3 lux
Efficacy	64.2 lm/w
Correlated Color Temperature	5541K
Wattage	23.2W
Temperature Range	-22°F (-30°C) to 122°F (50°C)
Housing Material	Aluminum
Lens Material	Polycarbonate
Mount	Permanent or Magnet
Weight	3.48lbs (1.57kg)
Approvals	CE, IP68 (Lighthouse only)
Warranty	5 Years

Part No.	Description
EW3000B	12-24V DC, 1.7A @ 12V DC, Black
EW3000W	12-24V DC, 1.7A @ 12V DC, White

Accessories	Description
ER3010	Replacement Remote
EZ3014	Magnet Mount Kit, Black
EZ2015	Magnet Mount Kit, White



Authorised Importer and Master Distributor

