

LW400 Series LED Linear Walkway Light



Description

The LW400 Series LED linear walkway light is designed for the walkways of large-scale port cranes, conveyor systems and power stations. Outputting an impressive 2200 Lumens from only 20W, it features a one-for-one replacement for 70W HID lights. When used with the flat (bulkhead) mount, this light can be used as an LED replacement of fluorescent and bulkhead lighting, whilst the pole (spigot) mount can be used as an LED replacement for conveyor and pathway lighting. The LW400 is also suitable as an auxiliary light that can be affected by severe weather conditions.

Features

- Industrial-grade LED chips and driver
- One-for-one replacement for 70W HID fixtures
- Tempered glass effective against aging and colour-changing
- IP65 fixture, waterproof & shock resistant
- Wide 140° optical lens provides even light distribution
- Certificates: CE, RCM (APS Lighting & Safety - E1496)

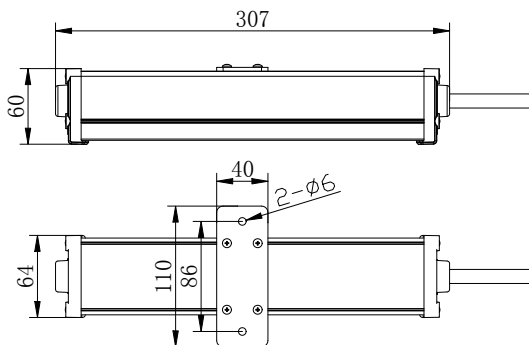
Applications

Walkways

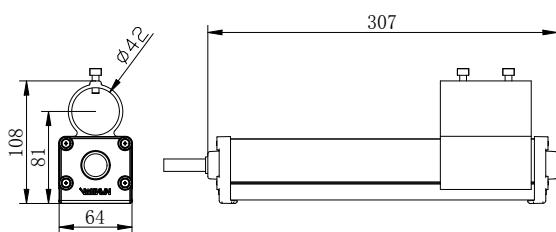
Tech Specs

Type	LEDs
Lumens	2200 Lu
Color Temperature	5500K-6000K
Voltage	120~277V AC (50Hz~60Hz)
Wattage	20W
Beam Angle	140° optical
Humidity	10% ~ 95% (no coagulation)
Operating Temperature	-30°C to +60°C
IP Rating	IP65
Housing	Forged aluminum alloy
Lens	Tempered glass
Mount	Pole (spigot) Ø 32-40mm, Flat (bulkhead)
Weight	2.2 lbs (1kg)
Dimensions (D, W, H)	Flat (bulkhead): 2.36x12.1x2.52" (60x307x64mm) Pole (40mm Ø): 4.25x12.1x2.52" (108x307x64mm)

Part No.	Beam	eLumens	Voltage	Watts	Mount
LW400-BP-20W	140° optical	2200 Lu	120~277V AC	20W	40mm Ø Pole (spigot) mount bracket plus Flat (bulkhead) bracket. 5m Int. cable



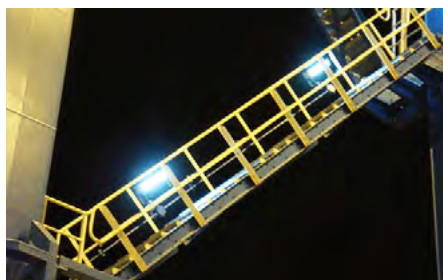
Flat (bulkhead) mounting bracket



40mm Ø Pole (spigot) mounting bracket



Spigot Ø 32-40mm



Authorised Importer and Master Distributor

