

280W Shovel/Dragline Perimeter Light

High Bay LUC Series



Description

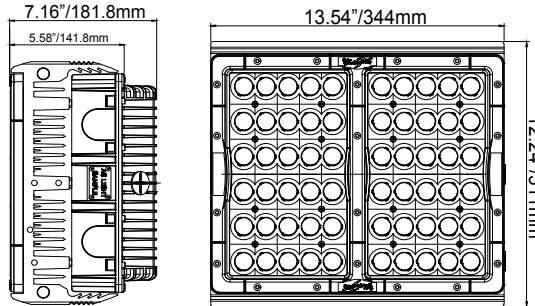
The 280W industrial area light by Vision X features advanced electronic technology like Pulse Width Modulation, Electronic Thermal Management, and a Redundant Circuit Design (60 LED) that allow the fixture to function even if half of the light should fail for unknown reasons.

Applications

Port terminals, industrial, cranes, stadiums

Tech Specs

Type	60 x XP-LHD (CREE) LEDs
Lumens	36,000 Lu
Beam Patterns	Spot 10° (SD), Narrow 25° (ND), Medium 40° (MD), Flood 60° (FD), Wide Flood 90° (WD)
Color Temperature	5000K
Voltage	90-277V AC (LV - Low Voltage), 480V AC (HV - High Voltage)
Wattage	280W
Current Draw	2.43A @ 115V AC, 1.22A @ 230V AC, 1.01A @ 277V AC
Operating Temperature	-40°C to +60°C
Vibration	15.6Grms
IP Rating	IP68, IP69K
Certifications / Ratings	EMC Emission: EN55015, EN55022 (CISPR22) Class B, EN61000-3-2, Class C (@Load ≥ 50%); EN61000-3-3. EMC Immunity: EN61000-4-2,3,4,5,6,8,11, EN61547, EN55024, Light Industry Level surge immunity Line-Earth 4KV, Line-Line 2KV
Short Circuit	Constant current limiting, recovers automatically after fault condition is removed
Housing	Die-Cast 6061 Aluminium, Grey in color
Lens	Polycarbonate Lens
Weight	60 lbs (27.5kg) Including TRHD Bracket
Dimensions (D, W, H)	7.17x13.54x12.24" (182x344x311mm)
Warranty	5 Years



Bracket Option:



Heavy Duty Trunnion Bracket
LUC60-TRHD



Stainless Steel Bracket
LUC60-TRSS

Part No.	Beam Angle	eLumens	Voltage	Watts	Bracket Option
LUC60-TRHD-SD	10° Spot	36,000 Lu	90-277V AC (Standard) 480V (HV)	280W	Trunnion Bracket Heavy Duty
LUC60-TRHD-ND	25° Narrow	36,000 Lu	90-277V AC (Standard) 480V (HV)	280W	Trunnion Bracket Heavy Duty
LUC60-TRHD-MD	40° Medium	36,000 Lu	90-277V AC (Standard) 480V (HV)	280W	Trunnion Bracket Heavy Duty
LUC60-TRHD-FD	60° Flood	36,000 Lu	90-277V AC (Standard) 480V (HV)	280W	Trunnion Bracket Heavy Duty
LUC60-TRHD-WD	90° Wide Flood	36,000 Lu	90-277V AC (Standard) 480V (HV)	280W	Trunnion Bracket Heavy Duty
LUC60-TRHD-UD	180° Ultra Wide Flood	36,000 Lu	90-277V AC (Standard) 480V (HV)	280W	Trunnion Bracket Heavy Duty
LUC60-TRSS-SD	10° Spot	36,000 Lu	90-277V AC (Standard) 480V (HV)	280W	Stainless Steel Bracket
LUC60-TRSS-ND	25° Narrow	36,000 Lu	90-277V AC (Standard) 480V (HV)	280W	Stainless Steel Bracket
LUC60-TRSS-MD	40° Medium	36,000 Lu	90-277V AC (Standard) 480V (HV)	280W	Stainless Steel Bracket
LUC60-TRSS-FD	60° Flood	36,000 Lu	90-277V AC (Standard) 480V (HV)	280W	Stainless Steel Bracket
LUC60-TRSS-WD	90° Wide Flood	36,000 Lu	90-277V AC (Standard) 480V (HV)	280W	Stainless Steel Bracket
LUC60-TRSS-UD	180° Wide Flood	36,000 Lu	90-277V AC (Standard) 480V (HV)	280W	Stainless Steel Bracket



Authorised Importer and Master Distributor

