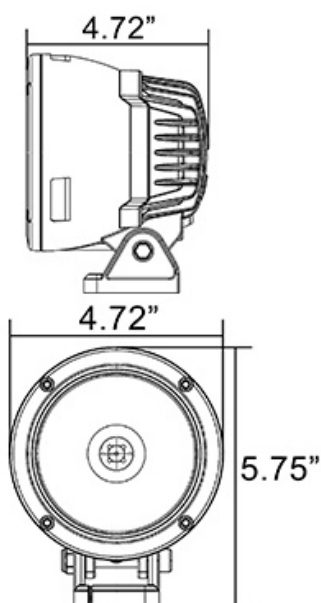


Vision X Light Cannon 40W LED

Cannon Series



Description

The new Vision X 4.5" Light Cannon XP uses a stronger single-source 40W LED over the standard 25W Cannon for added power output from the same size light. The Light Cannon XP comes equipped with advanced IRIS reflector technology to place it at the top of its class in the single source LED lighting division. LED Light Cannons are available in a Two Light Kit.

Features and Benefits

- Exclusive Luminous Ultra-Premium LED Smoothest Light Pattern
- Universal Single Bolt Mounting
- First of its kind single-source 40W LED
- Proprietary IRIS Reflector Technology
- Prime Drive For Enhanced Reliability and Output
- Integrated Electronic Thermal Management
- IP-68 Waterproof, Dustproof and Particle Proof

Applications

Off-highway, 4WDs, recreational, specialty & commercial trucks and buses

Tech Specs

Voltage	9-32V DC
rLumens	3,000Lu
eLumens	2,100Lu
Wattage	40W
Amps	3.33A
Beam Pattern	10° Spot
Standards Compliances	IP-68 Waterproof, Dustproof and Particle Proof

Part No.	Description
CTL-CPZ110XP	Vision X 40W Cannon Series: 1 Light
CTL-CPZ110XPKIT	Vision X 40W Cannon Series: 2 Light Kit



Authorised Importer and Master Distributor

