

# Vision X Bow Hull Light Kit



The Bow Hull Light Kit offers a powerful LED light module and long range beam pattern for maritime applications. Available with two mounting options: surface mount to hull with four mounting bolts for boats designed with a pronounced flare, or weld the light directly to the hull (aluminum boats only).

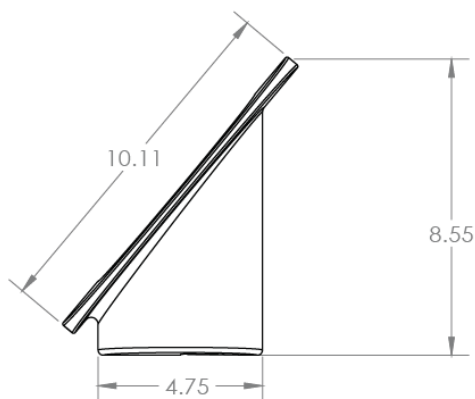
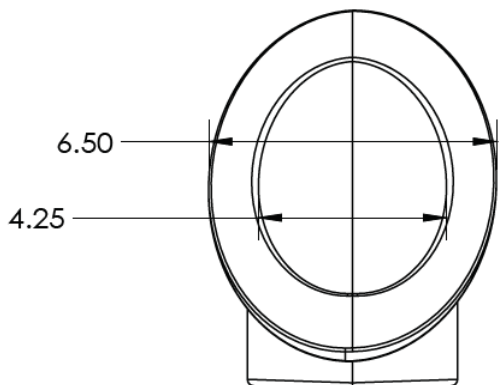
**Application**

Maritime machinery and applications

**Tech Specs**

Fixture Weight	3.5 lbs (1.59 kg)
Shipping Weight	4.6 lbs (2.09 kg)
Mounting	4 Bolts or Welded
LED	XD16 (Cree) x6
Lumens	4,004 lm
Distance	490 ft   149.5 M
Beam Pattern	25°
Wattage	33W
Amp Draw	5.5A @ 12V 2.76A @ 24V
Color Temperature	5000K White
Operating Voltage	9-32V DC
Operating Temperature	-40°C ~ 80°C
Connector	2pin Deutsch
Housing	Aluminum 356.1
Light Fixture Lens	Polycarbonate
Light Fixture Finish	Marine Grade White
Ingress Protection	IP68/69K
Vibration Rating	8.6 Grms
Depth Rating	100'/30.48m

Part No.	Beam Angle	Mount
MAR-BHLB	25°	Bolt Mount
MAR-BHLW	25°	Weld-On Mount



Authorised Importer and Master Distributor

