

# eHorn-HV

## High-Vibration Resistant Electronic Horn



### Description

The eHorn-HV by Federal Signal is an electronic horn capable of producing two high decibel horn tone outputs from the same unit through internal amplification and tone circuitry. Model eHorn-HV utilizes proprietary technology to replicate the rich, full tones of Federal Signal's Model 52, 55 and 56 electromechanical horns. The eHorn-HV is factory-set to the Model 52 tone and is easily field-configured to select the Model 55 and Model 56 horn tones.

Model eHorn-HV's non-metallic, polycarbonate housing is corrosion resistant and weatherproof for improved durability in harsh industrial environments. With Type 4X and IP66 enclosure ratings, eHorn-HV is ideal for a wide variety of environmental conditions, including outdoor use.

The eHorn-HV's potted internal electronics and external heavy-duty mounting bracket allow the unit to withstand high-vibration settings. The high-vibration resistance makes this model ideal for warning needs of any off-road vehicle. Model eHorn-HV can be mounted on any relatively flat surface with the supplied stainless-steel mounting bracket.

Model eHorn-HV is available in 24V DC and has no duty cycle. The electronic horn is designed with three SPLs (Sound Pressure Level) ranging from 96 to 117 dBA at 10' (106 to 127 at 1m) depending on the tone selected.

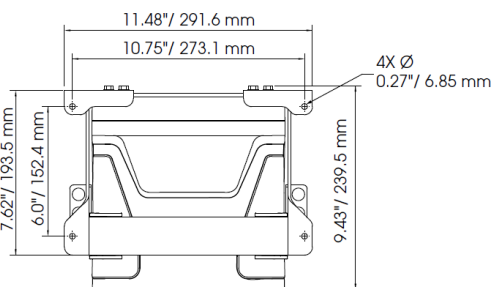
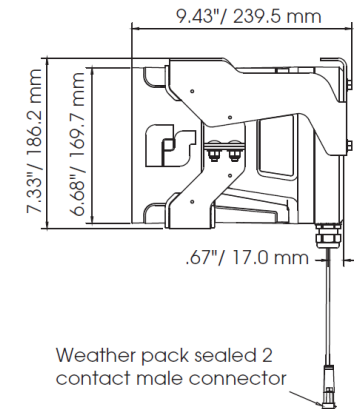
### Features and Benefits

- Available in 24V DC
- Produces one of two tones at three SPL (sound pressure levels)
- Replicates Federal Signal 52 and 55/56 horn tones
- Stainless steel brackets and hardware
- Produces 96-117 dBA @ 10' (106-127 dBA @ 1m) depending on tone and voltage
- Indoor/outdoor use
- Type 4X, IP66 enclosure
- Marine Rated

### Tech Specs

Voltage	24V DC
Operating Current	0.4 - 3.0 A (52 Horn Option), 0.24 - 3.3 A (55/56 Horn Option)
Operating Temperature	-40°F to 150°F (-40°C to 66°C)
Decibel Output	96-117 dBA @ 10' (106-127 dBA @ 1m) depending on tone/voltage
IP Rating	IP66
Enclosure Rating	Type 4X
Mount	Surface mount, stainless steel brackets and hardware
Weight	15.90 (lbs) / 31.1 (kgs)
Dimensions (D x W x H)	9.43" x 11.48" x 7.33" inches (239.5 x 291.6 x 186.2mm)

Part No.	Description
EHORN-HV-024	Horn, Electronic, Vibration Resistant, 24V DC



52 Horn Tone (315.6 Hz Steady)				
LEVEL	TAPS		SPL (dBA @10 ft)	DC Current (A) 24VDC
	WIRE 1	WIRE 2		
High	P1	P4	116	3.0
Med	P1	P3	109	1.0
Low	P2	P3	100	0.4

55/56 Horn Tone (330.0 Hz Steady)				
LEVEL	TAPS		SPL (dBA @10 ft)	DC Current (A) 24VDC
	WIRE 1	WIRE 2		
High	P1	P5	117	3.3
Med	P1	P3	106	0.5
Low	P2	P3	96	0.24



FEDERAL SIGNAL

Authorised Importer and Master Distributor

