

Vision X 140W LED Light

Corrosion Resistant Series



Description

Designed to outshine and outlast the competition, the 140-Watt AC LED light fixture features a stainless steel trunnion bracket and stainless steel fasteners to fight against chemically harmful environments. The 140W is IP-68/IP69K rated and UL1598a rated for wet locations.

Features and Benefits

- 140W LED Fixture
- Tri-Coated Aluminum Protection
- Stainless Steel Trunnion
- Stainless Steel Fasteners

Application

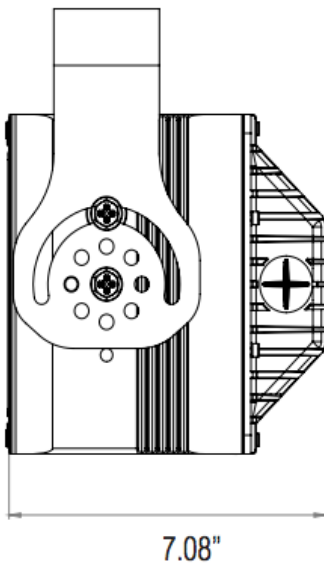
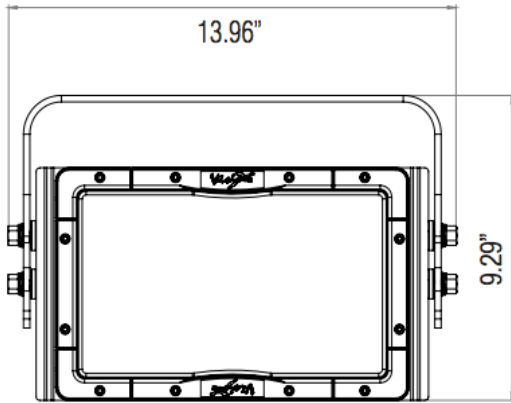
Corrosive environments, acid wash plant, copper concentrator, slurry tanks

Tech Specs

Fixture Weight	24lbs (10.9kg)
Shipping Weight	26.9lbs (12.2kg)
Mounting	(1) 3/4" NPT - TOP (2) 3/4" NPT 90° - SIDES (2) 3/4" NPT 45° - SIDES
LED	XP-L (CREE)
Lumens	21,000lm
Beam Pattern	60° Flood, 90° Wide Flood
Wattage	140W
Amp Draw	1.22A @ 115VAC 0.61A @ 230V AC 0.51A @ 277V AC
Operating Voltage	90 - 305V AC 127 - 431V DC 180-528V AC High Voltage Available
Lifespan	50,000hrs
Frequency	47-63Hz
THD	<20% (@load≥50% 115VAC, 230VAC) (@load≥75% / 277VAC)
Power Factor	≥ 0.98/115VAC ≥ 0.95/230VAC ≥ 0.92/277VAC
Short Circuit	Constant Current Limiting
Polarity	Reverse Polarity Protection
Housing Material	Plastic Tri-Coated Aluminium
Lens	Soda Lime Glass Lens
Finish	Gloss Yellow
EMC Emission	Compliance to EN55015, EN55022 (CISPR22) Class B, EN61000-3-2 Class C (@Load ≥ 50%); EN61000-3-3
EMC Immunity	Compliance to EN61000-4-2,3,4,5,6,8,11, EN61547, EN55024, Light Industry Level (surge immunity Line-Earth 4KV, Line-Line 2KV)
Ingress Protection	IP68/69K
Vibration Rating	15.6Grms
Dimensions (WxHxD)	13.96" x 9.29" x 7.08" inches (354.6 x 235.9 x 179.8 mm)
Warranty	5 Years

Part No. Description

LSY063060STR	140W LED Light, 90° Wide Flood
LSY063090STR	140W LED Light, 60° Flood



Authorised Importer and Master Distributor

