

ABL RT LED1500

Compact LED Series



Description

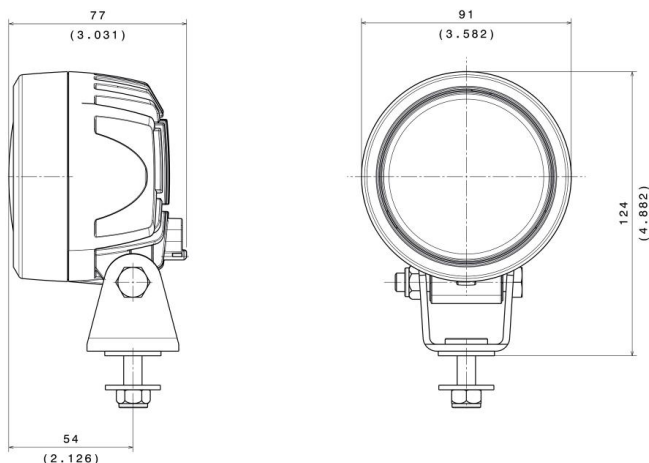
The ABL RT LED1500 is a compact LED-powered work lamp. This 20W version features 6 LED bulbs and pumps out an impressive 1500 lumens. This lamp exceeds everyday demands in all applications from handling equipment to heavy vehicles.

Application

Heavy equipment, mining, construction, road and utility equipment, forestry, agriculture

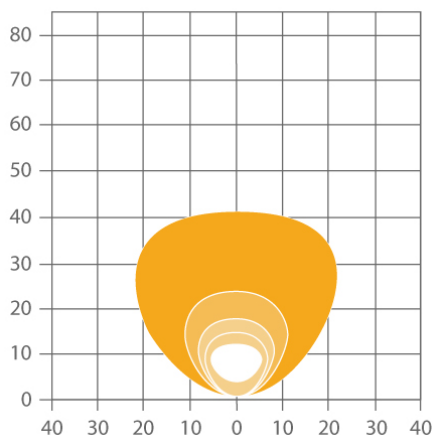
Tech Specs

Voltage	12-24V DC
Tech	LED
Wattage	20W
Current	0.85A @ 24V DC
Lumens	1500 Lu
Operating Temperature	-40°C to +85°C
Beam Pattern	Flood, Long Range or Asymmetrical Flood
Connector	AMP 2 pin, DT 2 pin
Mounting	Pedestal, suspended
Lens Material	Hardened glass, Plastics
Dimensions (DxWxH)	3.03x3.58x5.07" inches (77x91x129mm)
Load Dump / Surge Dump	Surge: 36V continuous / ISO 7637-2 Pulse 5a
Weight	1.2 lbs (0.55kg)
IP Rating	IP68 / 69K
Polarity	Protected against reverse voltage
Salt Spray Test	ISO 9227
Vibration Resistance	15 Grms @ 24-2000Hz
Shock Resistance	60G
EMC	ISO 13766, ISO 14982, ISO 12985, CISPR25 Class 5
Warranty	4 Years

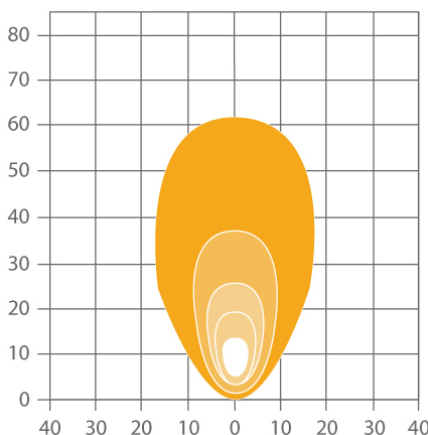


Part No.	Description
RT1500F	Flood, 1500 Lu, 12-24V DC, 0.85A @ 24V DC, 20W
RT1500LR	Long Range, 1500 Lu, 12-24V DC, 0.85A @ 24V DC, 20W
RT1500FA	Asymmetrical Flood, 1500 Lu, 12-24V DC, 0.85A @ 24V DC, 20W

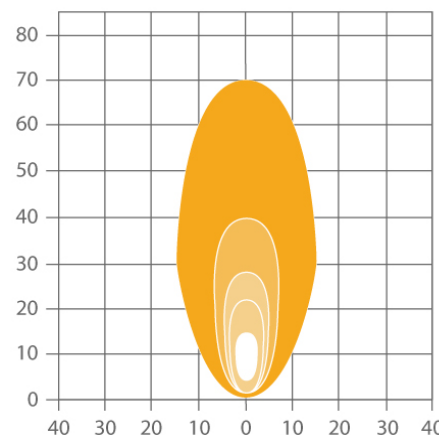
Lux: 20 12 7 3.5 1



Asymmetrical Flood



Flood



Long Range



Authorised Importer and Master Distributor

