

# J.W. Speaker 272 CHMSL

## Camera Tail Light



### Description

As part of a 360° lighting solution, J.W. Speaker engineered the Model 272 CHMSL (Center High Mount Stop Light), featuring a compact design and high-quality camera with wide range visibility to make trailering and backing up a breeze. The Model 272 CHMSL is positioned higher than side brake lights, directly in the driver's line of sight, increasing driver safety, visibility, and deterring rear-end collisions. The CHMSL light illuminates every time you push the brake pedal, alerting motorists to the driver slowing down or coming to a stop. The camera can be connected to reverse lights to display anytime the vehicle is put in reverse. The camera angle is reversible to allow for various mounting heights.

### Features and Benefits

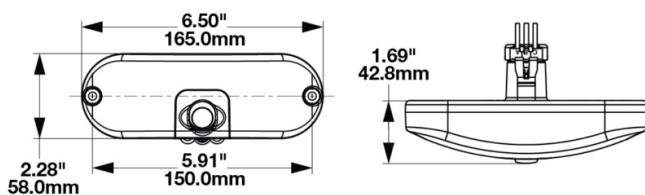
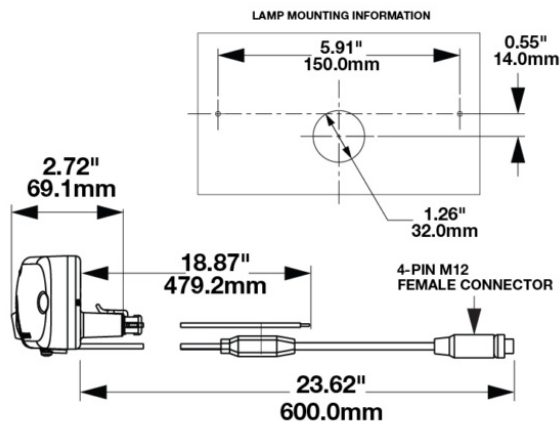
- 6m and 10m extension cables are available
- Extreme durability and efficient LEDs
- LED lights reach maximum intensity faster than incandescent counterparts
- Tough design to stand up to shock and vibration
- Meets all safety standards, DOT/SAE compliant

### Applications

Agriculture, construction, industrial, material handling, mining, specialty vehicles, truck and bus, automotive

### Tech Specs

Tech	LED
Input Voltage	12V DC
Operating Voltage	9-18V DC
Current	0.08A @ 12V DC (STOP)
Lumens	2000 Lu
Minimum Operating Temperature	-40 °C / -40 °F
Maximum Operating Temperature	65 °C / 149 °F
Outer Lens Material	Polycarbonate
Outer Lens Color	Red
Housing Material	ABS
Housing Color	Black
Bezel Color	Black
Mating Connector	PACKARD 12110290 or DELPHI 12059595
Product Weight	0.65 lbs / 0.29 kgs
Shipping Weight	0.75 lbs / 0.34 kgs



Part No.	Description
272	LED CHMSL with Camera – Model 272: Red LED, 12V DC, 0.08A @ 12V DC



Authorised Importer and Master Distributor

