

Pit Master 60 LED Light

Direct 1 for 1 replacement for 1000W HPS Lighting



Description

The PitMaster 60 from Vision X is a direct 1 for 1 replacement for 1000 Watt HPS lighting, and offers a 70% reduction in power consumption while increasing effective output by 30%. Twin redundant circuit boards and inverters completely remove unscheduled maintenance, allowing the PitMaster 60 to function should half of the system fail in extremely harsh conditions.

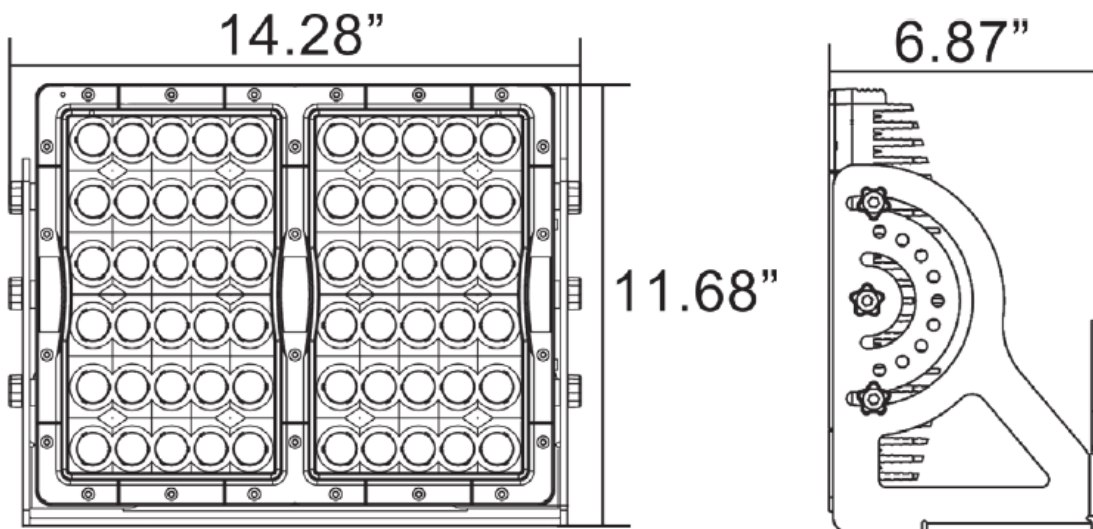
Features and Benefits

- Increases Operator Safety
- 360° Fully Adjustable Mounting System
- Prime Drive Equipped

Tech Specs

rLumens	31,680 Lu
eLumens	22,200 Lu
Wattage	300W
Amp Draw	12.5A @ 12V DC
Beam Pattern	10°, 25°, 40°, 60°, 90°, 30/65°
Color Temperature	6000K, 2800K Available
Operating Voltage	11-65V DC
Operating Temperature	-40°C ~ 80°C
Lifespan	50,000hrs
Polarity	Reverse Polarity Protection
Connector	2 Pin Deutsch
Housing	Die-Cast 6061 Protection
Finish	Gloss Black
Lens	Polycarbonate
EMC Emission	(CISPR 25) Edition 3.0 (2008-03) Class 3
Ingress Protection	IP68, IP69K
Vibration Rating	15.6Grms
Weight	26.46lbs (12.0kg)
Mounting	Bracket Mount
Warranty	3 Years

Part No.	Description
MIL-PMX6010	10° Beam
MIL-PMX6040	40° Beam
MIL-PMX6060	60° Beam
MIL-PMX3090	90° Beam
MIL-PMX60e3065	30°X65° Elliptical Beam



Authorised Importer and Master Distributor

