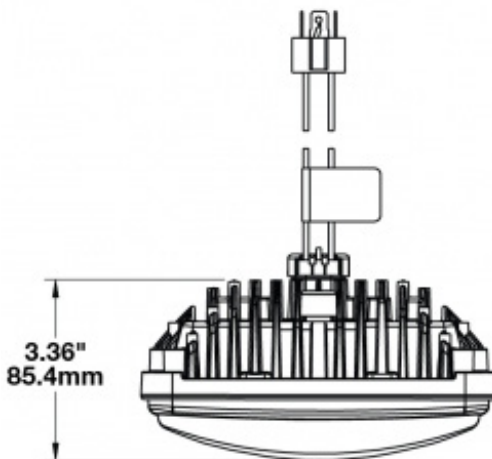
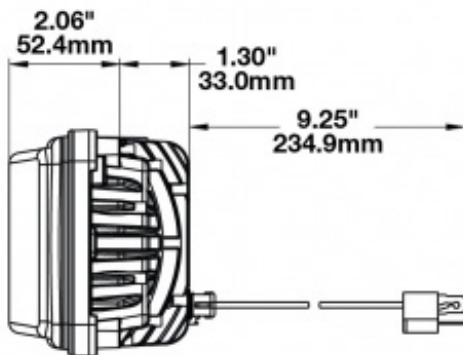
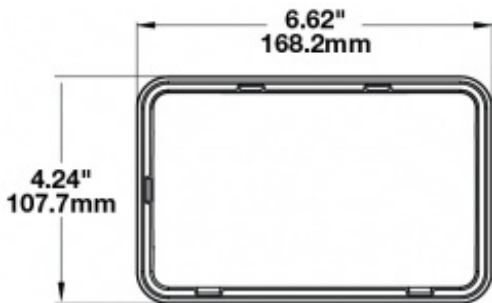
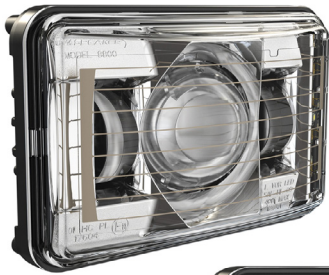


J.W. Speaker 8800 Evolution 2



Description

The 8800 Evolution 2 provides a high performance 4x6" LED headlight, available with a SmartHeat® heated lens! This headlight is the industry's first to meet proposed National Highway Transportation Safety Administration (NHTSA) guidelines for a 5-Star NCAP-compliant low beam headlight.

Features and Benefits

- Available with a SmartHeat Heating System
- Meets proposed National Highway Transportation Safety Administration
- Tough, die-cast housing, with added protection from salt spray
- Offering both heated and non-heated 4x6" LED upgrades

Applications

Agriculture, automotive, construction, industrial, material handling, mining etc.

Tech Specs

Housing Material	Die-Cast Aluminum
Housing Color	Black
Bezel Color	Chrome or Black
Mounting Type	Low-Profile Panel Mount
Retrofits	1A1 and 2A1 (4" 1 6") sealed beams
Minimum Operating Temp.	-40 °C / -40 °F
Maximum Operating Temp.	65 °C / 149 °F
Connector or Wiring	H4 Connector - AMP (#172615-2)
Mating Connector	LH Terminal - AMP (#172795-1); RH, Terminal - AMP (#172796-1)
Shipping Weight	2.30 lbs / 1.04 kgs
Input Voltage	12-24V DC
Operating Voltage	9-32V DC
Current Draw	Heated: 3.30A @ 12V DC, 1.67A @ 24V DC Non-Heated: 2.10A @ 12V DC, 1.00A @ 24V DC
Nominal LED Color Temp.	5000K
Beam Patterns	High Beam and Low Beam
Standards Compliance	Buy America Standards, ECE Reg 112, Eco Friendly, FMVSS 108 s10.1 (Table XVIII), (Table XIX), IEC IP69K
rLumens	2,250 Lumens (High Beam); 2,830 Lumens (Low Beam)
eLumens	898 Lumens (High Beam); 782 Lumens (Low Beam)
Dimensions (WxHxD)	6.6"x4.22"x3.34" inches (167.64x107.19x84.90mm)

HEATED

Part No.	Description
88002-DOT/ECE-CB-HB	DOT/ECE LED High Beam Heated Headlight with Chrome Bezel
88002-DOT/ECE-BB-HB	DOT/ECE LED High Beam Heated Headlight with Black Bezel
88002-DOT/ECE-CB-LB	DOT/ECE LED RHT Low Beam Heated Headlight with Chrome Bezel
88002-DOT/ECE-BB-LB	DOT/ECE LED RHT Low Beam Heated Headlight with Black Bezel
88002-ECE-CB-LB-LHT	ECE LED LHT Low Beam Heated Headlight with Chrome Bezel
88002-ECE-BB-LB-LHT	ECE LED LHT Low Beam Heated Headlight with Black Bezel

NON-HEATED

Part No.	Description
88002-DOT/ECE-CB-HB-NH	DOT/ECE LED High Beam Headlight with Chrome Bezel
88002-DOT/ECE-BB-HB-NH	DOT/ECE LED High Beam Headlight with Black Bezel
88002-DOT/ECE-CB-LB-RHT	DOT/ECE LED RHT Low Beam Headlight with Chrome Bezel
88002-DOT/ECE-BB-LB-RHT	DOT/ECE LED RHT Low Beam Headlight with Black Bezel
88002-ECE-CB-LB-LHT-NH	ECE LED LHT Low Beam Headlight with Chrome Bezel
88002-ECE-BB-LB-LHT-NH	ECE LED LHT Low Beam Headlight with Black Bezel



Authorised Importer and Master Distributor

