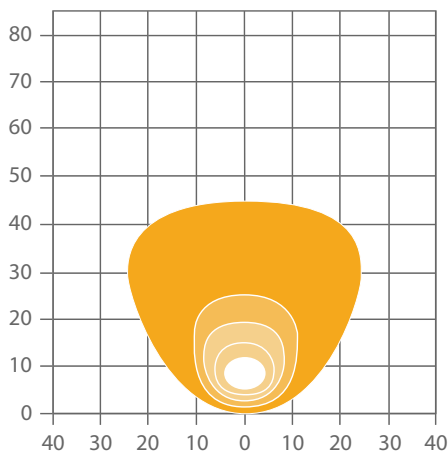
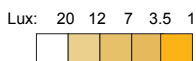
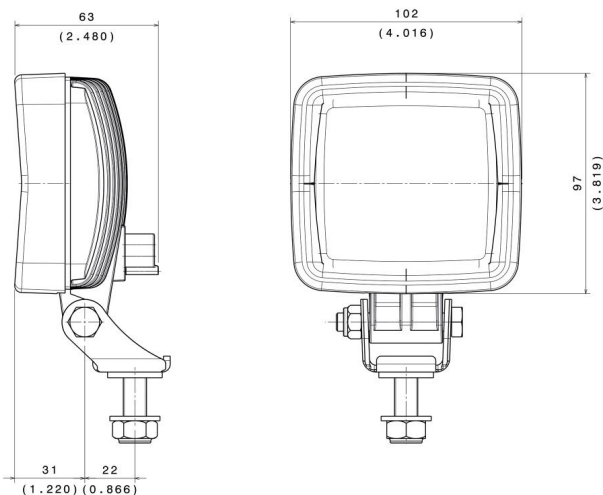
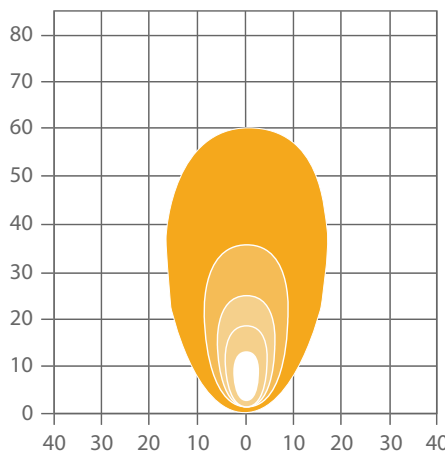


# ABL ST LED1500

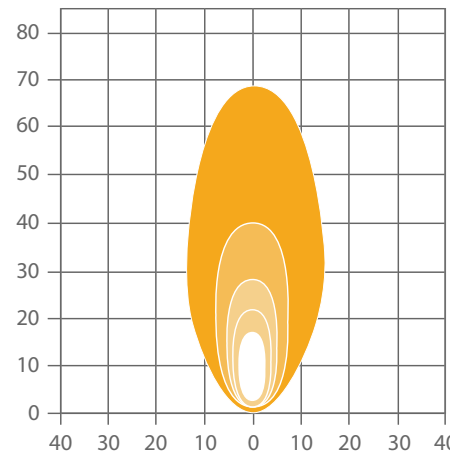
## Compact LED Series



Asymmetrical Flood



Flood



Long Range

### Description

The ABL ST LED1500 is a standard work light that includes features such as 1500 lumens, 20 watts and EMC CISPR25 class 5 as well as the integrated load dump to meet the most severe specifications.

### Application

Heavy equipment, mining, construction, road and utility equipment, forestry, agriculture

### Tech Specs

Voltage	12-24V DC
Tech	LED
Wattage	20W
Current	0.85A @ 24V DC
Lumens	1500 Lu
Operating Temperature	-40°C to +85°C
Beam Pattern	Flood, Long Range or Asymmetrical Flood
Connector	AMP 2 pin, DT 2 pin
Mounting	Pedestal, suspended
Lens Material	Hardened glass, Plastics
Dimensions (DxLxH)	2.24x3.97x3.81" inches (57x101x97mm)
Weight	1.10 lbs (0.5kg)
Load Dump / Surge Dump	Surge: 36V continuous / ISO 7637-2 Pulse 5a
IP Rating	IP68 / 69K
Polarity	Protected against reverse voltage
Salt Spray Test	ISO 9227
Vibration Resistance	15 Grms @ 24-2000Hz
Shock Resistance	60G
EMC	ISO 13766, ISO 14982, ISO 12985, CISPR25 Class 5
Warranty	4 Years

Part No.	Description
ST1500F	Flood, 1500 Lu, 12-24V DC, 0.85A @ 24V DC, 20W
ST1500LR	Long Range, 1500 Lu, 12-24V DC, 0.85A @ 24V DC, 20W
ST1500FA	Asymmetrical Flood, 1500 Lu, 12-24V DC, 0.85A @ 24V DC, 20W



Authorised Importer and Master Distributor

