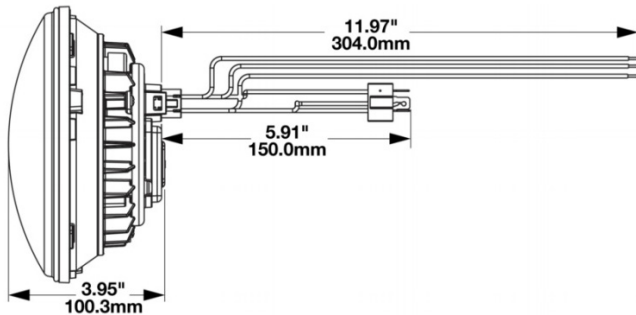
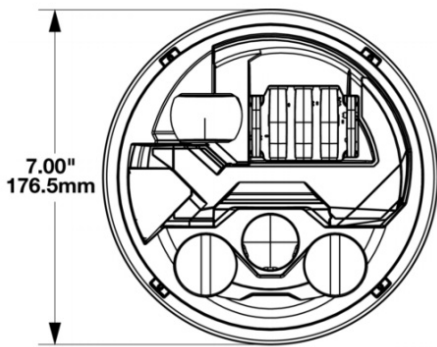


J.W. Speaker 8700 Evolution 3 LED Headlights



Non-Heated

Heated



Description

7" Round Heavy Duty Truck LED Headlights

The 8700 EVO 3 is a 5-in-1 headlight that has state-of-the-art optics and technology that provides a crisp beam with a wider, more even pattern. Built with five functions packed into one Heavy Duty Truck LED Headlight: High Beam, Low Beam, Turn Signal, Daytime Running Light (DRL), and Front Position. Powerful LEDs & precisely engineered light patterns give you the best visibility for the best driving experience. Durable, dependable and stunning, the 8700 EVO 3 headlights are the definition of heavy-duty. Designed to withstand shock and vibration, these headlights outlast and outshine basic stock lights. The J.W. Speaker 8700 Evolution 3 LED Headlights are specifically designed for over the road trucks, heavy-duty trucks, refuse trucks, and easily retrofits any 7" round halogen headlight.

Features

- Five functions packed into one Heavy Duty Truck LED Headlight: High Beam, Low Beam, Turn Signal, Daytime Running Light (DRL), and Front Position.
- Powerful LEDs & carefully engineered light patterns give you the best visibility & driving experience
- Dual Burn® high beam provides both widespread visibility and a powerful punch of light down the road
- SmartHeat heated lens option to keep your headlights clear of snow and ice year-round
- Street Legal, supporting DOT & ECE compliance for on-road use
- Easy plug & play installation
- Unique look; available with chrome bezel
- Kit of 2 headlights + harnesses and single headlights for plug & play installation

Application

Trucks and buses, refuse trucks, fleets, automotive, construction, industrial, mining, off-road 4x4, specialty vehicles

Tech Specs

Input Voltage	12V DC
rLumens	3,600 (High Beam), 3,020 (Low Beam)
eLumens	1,320 (High Beam), 1,201 (Low Beam)
Candela Output	68,800 (High Beam), 24,800 (Low Beam)
Colour Temp.	5000K
Beam Patterns	Forward Lighting - Daytime Running Light Forward Lighting - High Beam (DOT/ECE) Forward Lighting - Low Beam (ECE Right Hand) Forward Lighting - Low Beam (DOT/ECE) Signalization - Front Position Signalization - Turn (Front)
Operating Voltage	9-16V DC
Current Draw	2.33A @ 12V DC (Low Beam) 3.25A @ 12V DC (High Beam) 3.00A @ 12V DC (Turn) 0.45A @ 12V DC (Position) 3.00A @ 12V DC (DRL)
Transient Spike Protection	150V Peak @ 1 HZ-100 Pulses
IP Rating	IP69K
Standards Compliances	ECE Reg 112, ECE Reg 7, ECE Reg 87 FMVSS 108 s10.1 (Table XIX), FMVSS 108 s10.1 (Table XVIII), FMVSS 108 s7.1 (Table VI) Tested to ECE Reg. 10 (Radiated Emissions only)
Weight	Single Light: 2.25 lbs (1.02 kgs), Light Kit: 5.10 lbs (2.31 kgs)
Dimensions (H x W x D)	176.5 x 176.5 x 100.3 mm (7.0 x 7.0 x 3.95 inch)

Part No.	Description
0558123	12V RHT DOT/ECE LED High/Low Beam Headlight – Chrome – 2 Light Kit
0558161	12V RHT DOT/ECE LED High/Low Beam Headlight – Chrome – Single RH Light
0558171	12V RHT DOT/ECE LED High/Low Beam Headlight – Chrome – Single LH Light
0558133	12V RHT DOT/ECE LED High/Low Beam Heated Headlight – Chrome – 2 Light Kit
0558201	12V RHT DOT/ECE LED High/Low Beam Heated Headlight – Chrome – Single RH Light
0558211	12V RHT DOT/ECE LED High/Low Beam Heated Headlight – Chrome – Single LH Light
0558243	12V LHT ECE LED High/Low Beam Headlight – Chrome – 2 Light Kit
0558261	12V LHT ECE LED High/Low Beam Headlight – Chrome – Single RH Light
0558271	12V LHT ECE LED High/Low Beam Headlight – Chrome – Single LH Light
0558253	12V LHT ECE LED High/Low Beam Heated Headlight – Chrome – 2 Light Kit
0558281	12V LHT ECE LED High/Low Beam Heated Headlight – Chrome – Single RH Light
0558291	12V LHT ECE LED High/Low Beam Heated Headlight – Chrome – Single LH Light



Authorised Importer and Master Distributor



APS USA
610 Gateway Center Way, Suites J & K
San Diego, CA 92102 USA
P: 1 619 263 4164
F: 1 619 263 6814

APS Australia
U48 / 9 Vision Street,
Wangara, WA 6065 Australia
Phone: 61 (8) 9302 2369
Fax: 61 (8) 6305 0047

APS: Singapore
Colombia
Chile
Perú
Brasil

