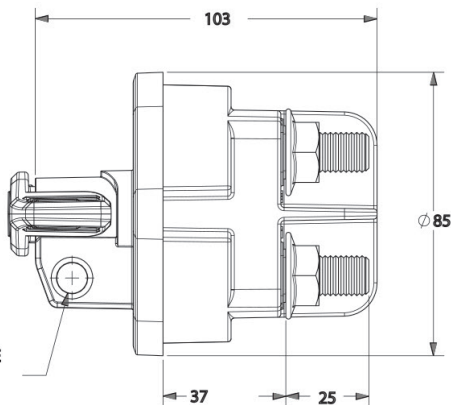
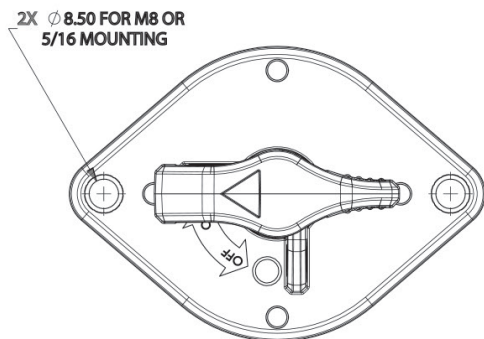


# Cole Hersee TR Series

## Manual Battery Disconnect Switches



### Description

Cuts all battery power from vehicle electrical systems with applications needing switching of two circuits, or both positive and negative. 500A continuous current rating for each of the two circuits (using 2 x 4/0 input and 2 x 4/0 output cables). Can be used to switch two vehicle voltage circuits simultaneously (24V and 12V). Disconnect a battery or multiple batteries, in either the positive or the negative line.

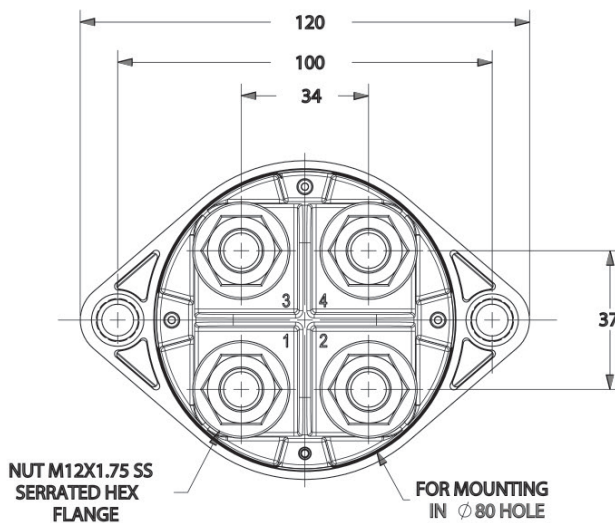
### Features and Benefits

- Ingress protection to IP67 and IP69K means that the switch can be mounted in exposed locations on the vehicle.
- Drop-in replacement for competitive Master Disconnect Switches, with higher vibration and shock capabilities.
- Direct lockout/tagout capability in On or Off position, with padlock or hasp

### Tech Specs

Max Operating Voltage	48V DC
Cranking Rating (30 sec)	2250A per circuit, with 2 x 4/0 input and 2 x 4/0 output cables 1750A per circuit, with 1 x 4/0 input and 1 x 4/0 output cables
Inrush Rating (1 sec)	3000A per circuit with 2 x 4/0 + 1 x 2 AWG
Terminal Stud Size	M12 x 25mm
Humidity	0 – 95% RH
Operating Temperature	-50° to 85°C, DC-Rated to 105°C
Ingress Rating	IP67 / 69K
Shock	30G
Vibration	8G
Recommended Mounting Torque	15 N-m (20Nm Max)

Part No.	Description
880175BX	Cole Hersee TR Series Man Batt Discon Switch – BLK
880175-0001BX	Cole Hersee TR Series Man Batt Discon Switch – RED
880175-0002BX	Cole Hersee TR Series Man Batt Discon Switch – YLLW



Authorised Importer and Master Distributor

