

ECCO 5800 Halogen Rotator Series

SAE Class I Rotator



5813A

Description

The ECCO 5800 Series beacon features a smooth and quiet belt-driven rotator mechanism and incorporates a free-form optical reflector to maximize beam pattern and light output. Features a polycarbonate lens and twist-on lens with locking screw for easy bulb replacement.

Features and Benefits

- Economical style beacon available in several mounting styles
- DIN models designed to fit DIN #72591
- Flexi-Base model rubber base resists vibration & protects against minor impacts
- Twist-on lens secures with a locking screw
- 55-watt halogen bulb

Tech Specs

Voltage	12V DC
Amps	4.9A @ 12V DC
FPM	195
Mount	Din Pole, 3 Bolt, Magnet or 1 Bolt Mount
Temperature Range	-22°F to +122°F (-30°C to +50°C)
Warranty	Rotator = 1 year / Bulb = 3 month
Standards Compliance	SAE Class I, CE, R10, R65
Warranty	1 Year

Part No. Description

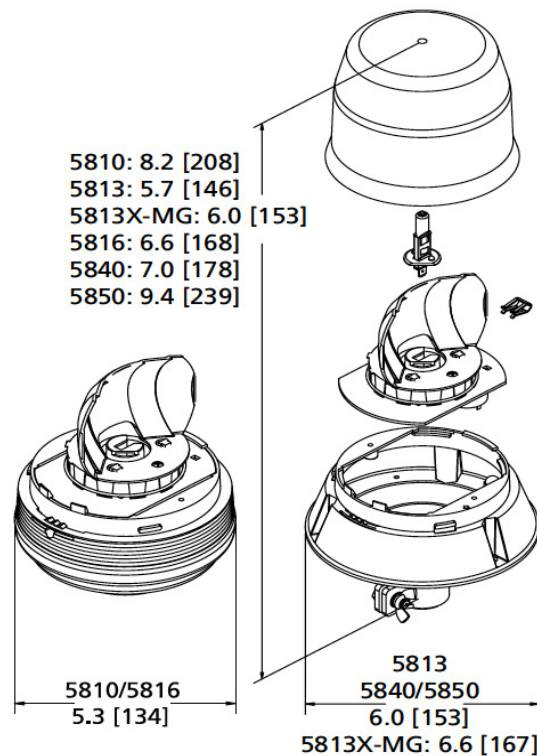
5813A	Amber, 12V DC, 4.9A @ 12V DC, 195 FPM, 3 Bole Mount
5813A-MG	Amber, 12V DC, 4.9A @ 12V DC, 195 FPM, Magnet Mount
5810A	Amber, 12V DC, 4.9A @ 12V DC, 195 FPM, DIN Pole Mount
5816A	Amber, 12V DC, 4.9A @ 12V DC, 195 FPM, 1 Bolt Mount



5810A



5813A-MG



Authorised Importer and Master Distributor

