

ECCO 40 Series Tonal / Dual Function Alarm



Grommet Mount



Description

The 40 series back-up alarms utilize a standard 4.5" rear-lighting grommet for mounting directly into the vehicle body. Vehicle down time is reduced since the alarm can be fitted or replaced quickly and easily without the use of tools; there are no holes to drill and no bolts to tighten. Not only is the 'in-body' mounting method easier to install, it also ensures the warning signal is projected where it is needed, directly into the hazard zone at the rear of the vehicle.

ECCO's Smart Alarm models measure ambient noise and adjust their sound level, creating a volume that is safe without being annoying or contributing to noise pollution. Smart Alarms eliminate the need for constant manual adjustment and help prevent intentional alarm disconnection.

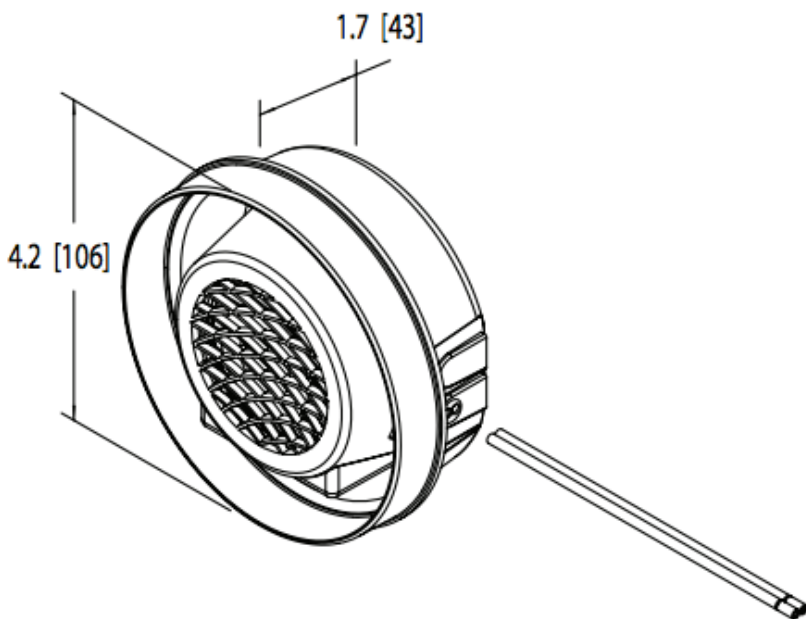
Features and Benefits

- Grommet mount reduces installation time, requiring no tools
- Directs warning to rear of vehicle
- For use with standard 4.5" rear lighting grommet (order separately)
- Temperature Range: -40°F to +185°F (-40°C to +85°C)

Tech Specs

Type	Smart Alarm (SA955) Dual-Function Alarm (DF445)
Voltage	12-24V DC
Decibels	82-102Db (SA955) 102Db (DF445)
Amps	0.4A (SA955) 0.5A (DF445)
Certifications	CE, R10, SAE Type F (DF445)
Mount	Grommet
Warranty	2 Years

Part No.	Description
SA955	Smart Alarm, 12-24V DC, 82-102Db, 0.4A, CE, R10
DF445	Dual Function Alarm, 12-24V DC, 102Db, 0.5A, SAE Type F, CE, R10



Authorised Importer and Master Distributor

