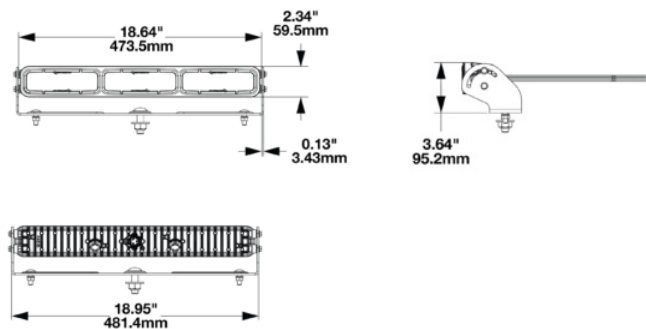
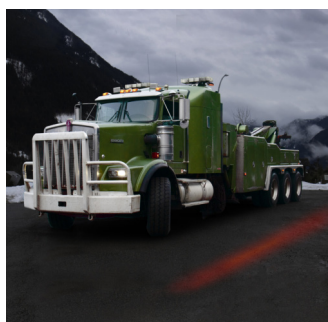


# J.W. Speaker Model 529

## LED Warning and Safety Light



### Description

We know every job site requires your full focus and attention and that vehicle lighting plays an essential role in protecting operators and pedestrians from the potential dangers of moving machinery. The innovative Model 529 LED Big Red Stripe Warning and Safety Light is the ideal solution for identifying dangerous areas on construction and mining job sites.

The rugged design of the Model 529 LED Big Red Stripe Warning and Safety Light projects a highly visible red safety strip of light that creates a keep-out zone to keep workers, pedestrians, and other vehicles at a safe distance. As a result, occupational safety plus operator comfort and convenience are significantly improved, preventing workplace accidents.

### Features

- Identifies dangerous areas, reducing workplace injuries by creating a “no-go” zone red stripe
- Intended for use in Mining, Construction, Agriculture, Material Handling, and Railroad applications
- Versatile pedestal mount allows warning light to be mounted on vehicles or stationary objects
- Optional flash rate of 1Hz with a duty cycle of 50%. (No synchronization is required)
- Solid-optic design improving longevity and reliable performance
- Die-cast aluminum housing with stainless steel mounting bracket & durable polycarbonate lens
- Rated to IP67, IP69K & ECE Reg.10 compliance standards
- 3-pin Deutsche connection
- 2-year warranty

### Applications

Agriculture, construction, industrial, mining and railroad

### Tech Specs

Input Voltage	12-24V DC
Operating Voltage	9-33V DC
Current Draw	3.70A @ 12V DC (Keep Out Zone), 3.70A @ 12V DC (Flashing) 2.30A @ 24V DC (Keep Out Zone), 2.30A @ 24V DC (Flashing)
Transient Spike Protection	330V Peak @ 1 HZ-100 Pulses
rLumens	3,350 Lu
eLumens	886 Lu
Candela Output	8530
Beam Patterns	Warning - Flashing Warning Warning - Keep Out Zone
Flash Rate 1	Tested to ECE Reg. 10 (Radiated Emissions only)
IP Rating	IP67, IP69K
Operating Temperature	-40°C to 65°C / -40°F to 149°F
Housing Color	Black
Housing Material	Aluminium
Outer Lens Material	Polycarbonate
Connector or Wiring	Deutsch DT04-3P
Mating Connector	Deutsch DT06-3S
Product Weight	2.85 lbs / 1.29 kgs

Part No.	Description
1300561	J.W. Speaker Model 529 LED Warning and Safety Light

Authorised Importer and Master Distributor

