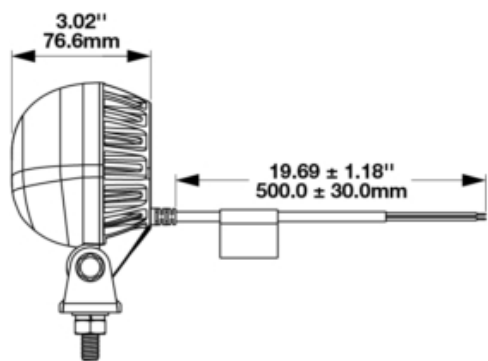
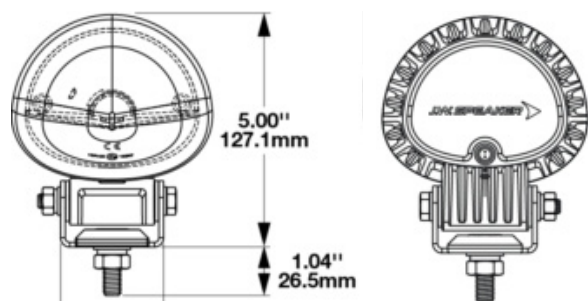


J.W. Speaker Model 777 GEN 2

LED Forklift Warning & ARC Safety Light



Description

The Model 777 offers a unique “keep out zone” safety light in a sleek and practical design. This LED safety light is designed with various types of safety applications in mind, including forklifts, work trucks, construction vehicles, farm equipment, and more. They are available in three different color configurations (Red, Green, and Blue) to create the best solution for each industry and application.

Features and Benefits

- High-powered LED safety light creates keep-away zones
- Compact and easy to install using a pedestal mount
- Precise beam patterns in red, blue, and green
- Sleek design; weather-proof; excellent thermal management
- Voltage ranges: 10-80V, suitable for various types of applications
- GEN 2 is more compact than our Model 777 GEN 1 Arc Warning Light
- GEN 2 Arc Warning light has a more compact beam pattern and is 50% brighter than our first generation

Applications

Industrial and material handling

Tech Specs

Input Voltage	12-72V DC
Operating Voltage	10-80V DC
Transient Spike Protection	330V Peak @ 1 HZ-100 Pulses
Effective Lumens	100 eLumens
Candela Output	3200
Beam Patterns	Warning - Keep Out Zone
Colors Available	Green, Blue or Red
Mounting Type	Pedestal (x1) M10-30
Minimum Operating Temperature	-40 °C / -40 °F
Maximum Operating Temperature	65 °C / 149 °F
Connector or Wiring	19.5" Bare Leads (tinned)
Housing Material	Die-Cast Aluminum
Housing Color	Black
Bezel Color	Black
Outer Lens Color	Clear
Outer Lens Material	Polycarbonate
Current Draw	1.08A @ 12V DC (1403601)
	1.09A @ 12V DC (1403611)
	1.06A @ 12V DC (1403621)
	0.51A @ 24V DC
	0.34A @ 36V DC
	0.26A @ 48V DC
	0.21A @ 60V DC
0.18A @ 72V DC	

Standards Compliance ECE Reg 10, IEC IP67 / IP69K, SAE J1113-13, SAE J1455

Part No.	Description
1403601	12-72V DC, Red LED
1403611	12-72V DC, Blue LED
1403621	12-72V DC, Green LED



Authorised Importer and Master Distributor

