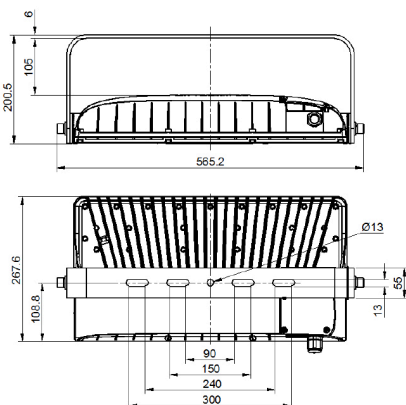


# APS LF46S Series LED Flood Light



## Description

The APS LF46S Series is an energy-saving, low-maintenance LED flood/area light that provides a stable and comfortable lighting spread for safe and efficient work conditions.

This light fixture is built tough with a corrosion-resistant aluminium housing, IP67 protection making it suitable for heavy industrial lighting applications in ports, wharfs, mines, workshops / warehouses and other industrial operations with a 5 year warranty.

## Features and Benefits

- Reliable, long-life, energy efficient, and environmentally friendly LEDs.
- High efficient heat dissipation design.
- Optimal oxidation resistance, corrosion resistance, fully sealed driver, suitable for high salinity applications.
- Equipped with a waterproof and breathable valve to balance the temperature and pressure inside and outside the cavity to protect the LED light source device.
- Trunnion bracket adjustable from 0° to 180° (5° per grid).
- PWM / 0-10V / time control, dimming control are optional. (Special order)
- Comes standard with safety chain.

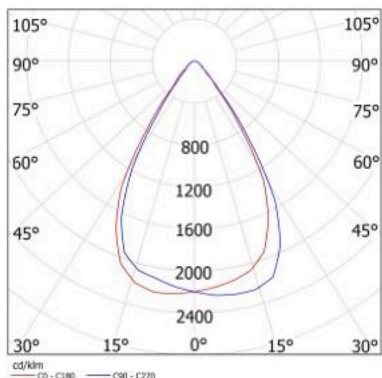
## Application

Ports, wharfs, mines, workshops / warehouses and perimeter lighting.

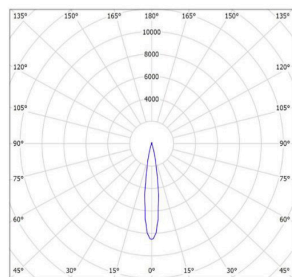
## Tech Specs

Light Source	LEDs
Colour Temperatures	5700K, 4000K, 2700K
Light Efficiency	140 Lu/W (5700K), 130 Lu/W (4000K), 130 Lu/W (2700K)
CRI	Ra≥70 (5700K), Ra≥70 (4000K), Ra≥80 (2700K)
Beam Patterns	15° (N = Narrow beam), 25° (M = Medium flood), 60° (F = Flood)
Voltage	120-277V AC (50Hz / 60Hz)
Power	70W, 100W, 135W, 150W, 200W
Standards Compliance	CE, RCM E1496 (pending)
EMC	IEC61000-4-2 Contact discharge: ±8KV Air discharge: ±15KV, IEC61000-4-3 800~1000MHz 10V/m, IEC61000-4-4 ±2KV, IEC61000-4-5, L-N: ±2KV L,N-PE: ±4KV, IEC61000-4-6 0.15~80MHz 10V/m, EN55015 Class C
Dimming	0~10V (optional)
IP Rating	IP67
Vibration	5G (IEC60068-2-6)
Working Temperature	-40°C ~ +50°C (Over temperature protection)
PF, Salt Spray	>0.9, ISO9227 720h
IK Rate	IEC62262 IK08
Housing	Aluminium alloy
Lens	Tempered glass
Installation	Trunnion bracket
Weight	8 kg (17.64 lbs)
LED Lifespan	60,000 Hours
Warranty	5 Years

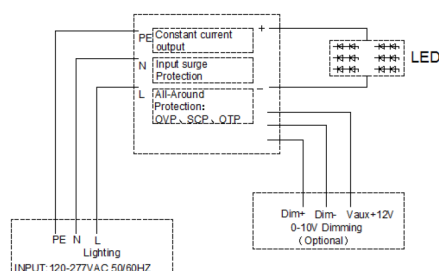
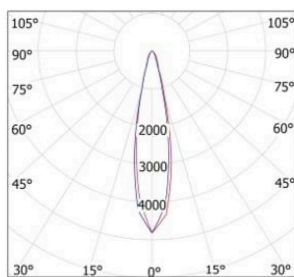
LF46 60° Light distribution curve



LF46 15° Light distribution curve



LF46 25° Light distribution curve



## Part No. Description

LF46S-70-F	70W, 120-277VAC, 5500K-6000K, 60° Flood, M20 cable gland
LF46S-100-F	100W, 120-277VAC, 5500K-6000K, 60° Flood, M20 cable gland
LF46S-135-F	135W, 120-277VAC, 5500K-6000K, 60° Flood, M20 cable gland
LF46S-150-F	150W, 120-277VAC, 5500K-6000K, 60° Flood, M20 cable gland
LF46S-200-F	200W, 120-277VAC, 5500K-6000K, 60° Flood, M20 cable gland

Authorised Importer and Master Distributor

