

ECCO EW2011B

Pedestrian Moving Arrow Light



Description

ECCO's EW2011B LED Pedestrian Moving Arrow is designed specifically for material handling applications to provide a visual warning for pedestrians in the vicinity of mobile equipment. This light is intended to supplement a 360° warning light by projecting a moving blue warning arrow onto the ground in the front or rear of the vehicle. This additional safety feature is especially useful where blind corners are present (i.e. warehouse racking) and is likely to be seen by pedestrians who are not looking up or paying close attention to their surroundings. Featuring 12-80 VDC operation, an aluminum housing, and polycarbonate lens, the EW2011B is extremely resistant to impact and vibration damage.

Features

- Nine 3-Watt LEDs
- Moving blue arrow projection
- Pedestrian warning for material handling applications
- Use on worksites near heavy pedestrian areas
- Aluminum heatsink housing
- Stainless steel mounting bracket
- Polycarbonate lens

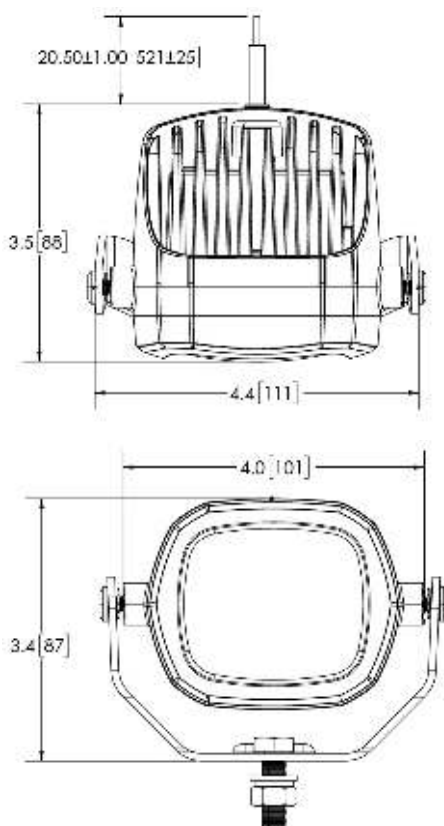
Applications

Forklift and material handling

Tech Specs

LED Color	Blue
Mount	1 Bolt
Voltage	12-80V DC
Amps	1.8A
Temperature Range	-40°F to +158°F (-40°C to +70°C)
Approvals	CE, R10, UL, RoHS
Warranty	5 Years
Dimensions (DxWxH)	3.5x4.4x3.4" (88x111x87mm)

Part No.	Description
EW2011B	12-80V DC, Blue LED Color, 1.8A



Authorised Importer and Master Distributor

