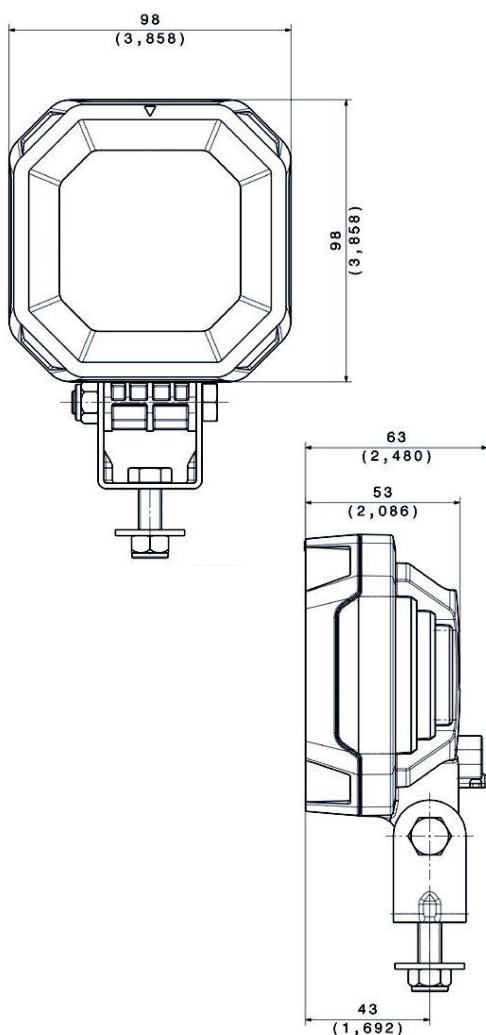


# ABL SV1000 LED Work Light

## A robust halogen alternative



### Description

Discover the SV1000 LED work Light, a robust halogen alternative designed for professionals. Made with polycarbonate, it's lightweight and durable. Upgrade now for reliable, hassle-free illumination that lasts. Make the switch to SV1000 LED and experience efficient lighting today!

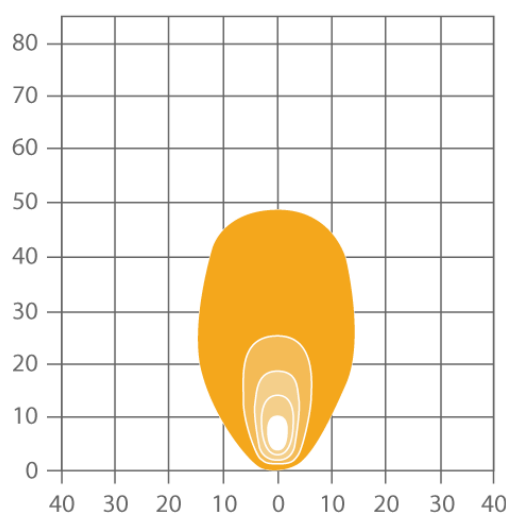
### Applications

Heavy equipment, mining, construction, road and utility equipment, forestry, agriculture

### Tech Specs

Voltage	Multi-volt 12-24V DC
Current Draw	0.34A @ 24V DC
Lens Material	Polycarbonate
Lumens	800 Lu
Light Pattern	Flood
Connector	Built-in DT 2 ways, bare lead wiring harness
Load Dump	36V continuous/ ISO 7637-2 Pulse 3b
Polarity	Protected against reverse voltage
Vibration Resistance	10 Grms, from 24Hz to 2000Hz
ETM	Protected against overheating
IP Rating	IP68 - IP69K
EMC	ISO 13766 - ISO 14982 - ISO 12985 - CISPR25 Class3
Salt Spray Test	ISO 9227
Shock Rating	60G
Operational Temperatures	-40°C to +55°C
Mounting	Pedestal, suspended
Weight	280g
Warranty	12 Months

Part No.	Description
SV1000LED-F	12-24V DC, 8W, 0.34A @ 24V DC, 800 Lumens, Flood



Flood Beam



Authorised Importer and Master Distributor

